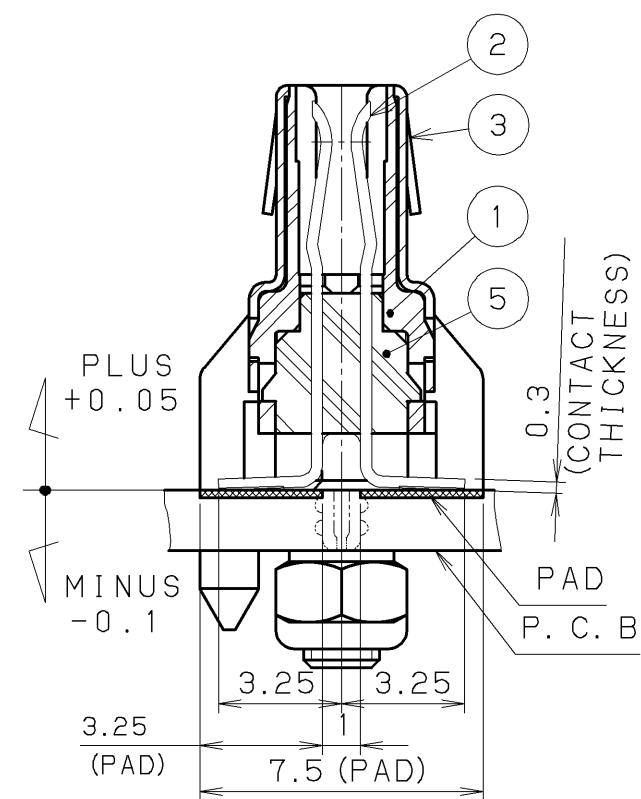
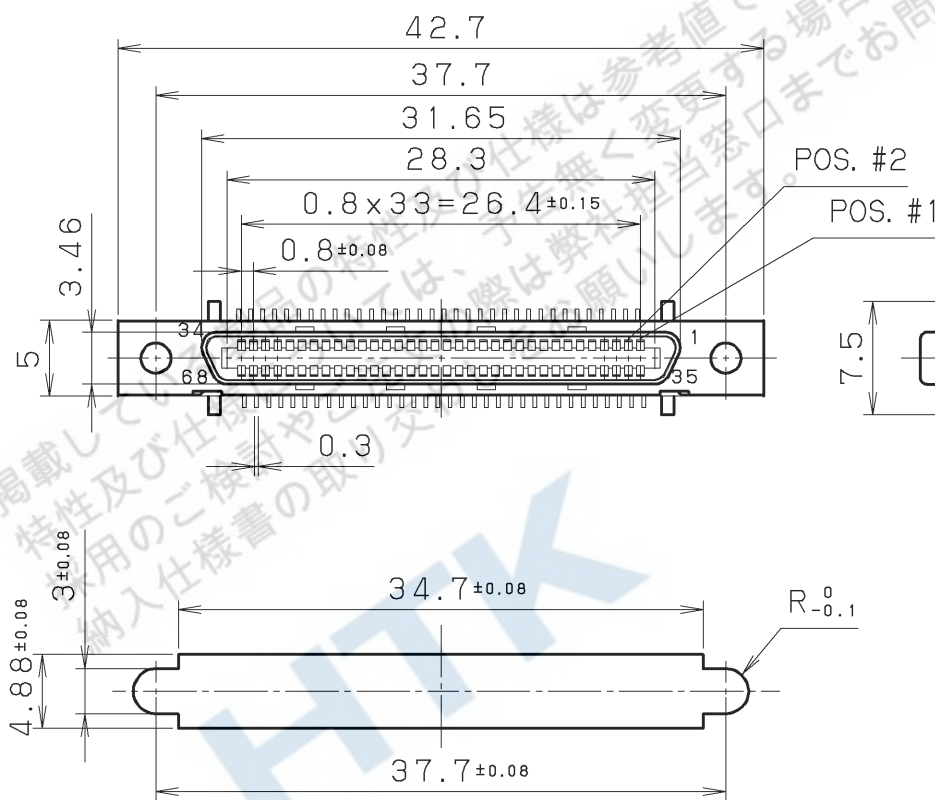


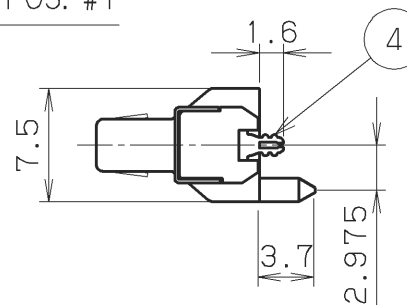
RECOMMENDED P.C.B. LAYOUT (t=1.6)
(MOUNT SIDE VIEW)
(SCALE=5/1)



CONTACT DETAIL
(SCALE=5/1)



RECOMMENDED
PANEL CUT-OUT DIMENSIONS
(t=1.12±0.08)



NOTE 1. CONTACT PLATING
CONTACT AREA : GOLD 0.1 μm MIN.
OVER PALLADIUM/NICKEL 0.5 μm

TERMINAL AREA : GOLD 0.05 μm
ALL OVER NICKEL UNDERPLATED.

2. TWO LOCK SCREWS AND HEX. NUTS (ITEM #6, 7)
ARE SUPPLIED WITH A CONNECTOR.

7	HEX. NUT (NYLOCK)	STEEL	2	NICKEL PLATING	
6	LOCK SCREW	STEEL	2	NICKEL PLATING	
5	INSULATOR B	LCP	1		UL94V-0 BLACK
4	BOARD LOCK PIN	PHOSPHOR BRONZE	2	NICKEL PLATING	
3	SHELL	STEEL	1	NICKEL PLATING	
2	CONTACT	PHOSPHOR BRONZE	68	SEE NOTE 1	
1	INSULATOR A	PPS	1		UL94V-0 BLACK

△										
LTR.	DATE	BY	REV.	DESCRIPT	No.	PART NAME	MATERIAL	QTY	FINISH	NOTE
	Nov. 25. 2005		2 / 1							

DATE					SCALE		UNIT		3RD. A. P		HONDA TSUSHIN KOGYO CO., LTD.	
Nov. 25. 2005					2 / 1		mm (INCH)					
APP. DATE & REV.					DR.		DE.		CHK.		CHK.	
					Y. KATO		Y. KATO		—		—	
					APP.		H. EBIHARA		NAME		0.8mm SPACING 68POS. FEMALE CONNECTOR SMT TYPE	
					PART NO.		H. EBIHARA		H. EBIHARA		REV.	
					H. EBIHARA		H. EBIHARA		PART NO.		H. EBIHARA	