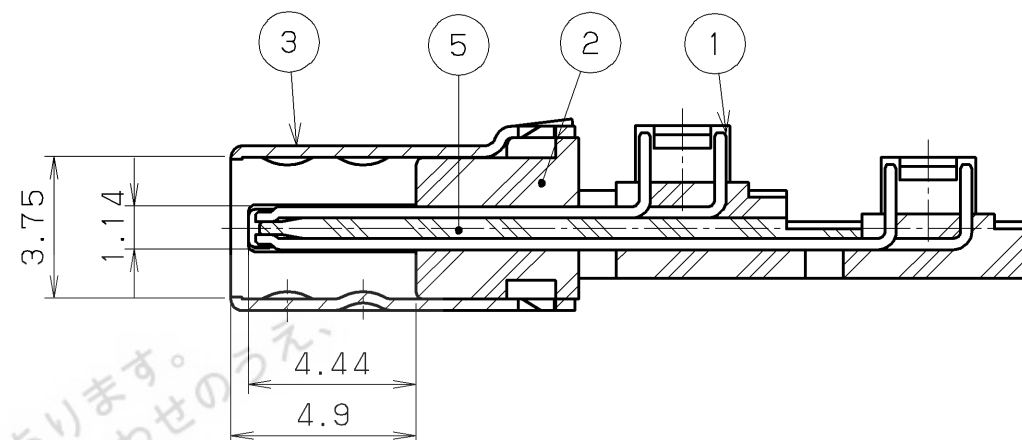


LAST POS.

POS. #1
POS. #35

4



CONTACT DETAIL
(5/1)

NOTE1. CONTACT PLATING

CONTACT AREA: Pd/Ni 0.5 μm + GOLD 0.1 μm MIN.
TERMINAL AREA: GOLD 0.05 μm
ALL OVER NICKEL UNDERPLATED

- 2. APPLICABLE CABLE COVER: P/N: HDRA-E () LGKP ()
- 3. MATING CONNECTOR: P/N: HDRA-E () LFDT-SL+
- 4. APPLICABLE WIRE SIZE AWG#34 (7/0.064), AWG#34 (1/0.16)
Ø0.44 (CORE JACKET O.D.)

5	INSULATOR B	PBT (GF)	1		UL94V-0 GRAY
4	CABLE HOUSING	PBT (GF)	2		UL94V-0 GRAY
3	SHELL	STEEL	1	NICKEL	
2	INSULATOR A	PBT (GF)	1		UL94V-0 GRAY
1	CONTACT	PHOSPHOR BRONZE	68	SEE NOTE 1	

LTR.	DATE	BY	REV.	DESCRIPT	No.	PART NAME	MATERIAL	QTY	FINISH	NOTE
------	------	----	------	----------	-----	-----------	----------	-----	--------	------

DATE Mar. 29. 2004		SCALE 2 / 1		UNIT mm (INCH)		3RD. A. P		HONDA TSUSHIN KOGYO CO., LTD.			
APP. DATE&REV.		DR.		DE.		CHK.		CHK.		APP.	
		Y. KATO		Y. KATO		—		C. NUNOKAWA		H. EBIHARA	
NAME		0.8mm SPACING 68POS. FOR CABLE IDC MALE CONNECTOR									
PART NO.		HDRA-E () MC1+									REV.

HDRA-E68MC1	68	0.8x33=26.4
PART No.	No. of Pos.	A