

Straddle SMT type male connector for PCB
HDRA-E68MT+

For PCB

Straddle SMT

ANSI/SFF8441

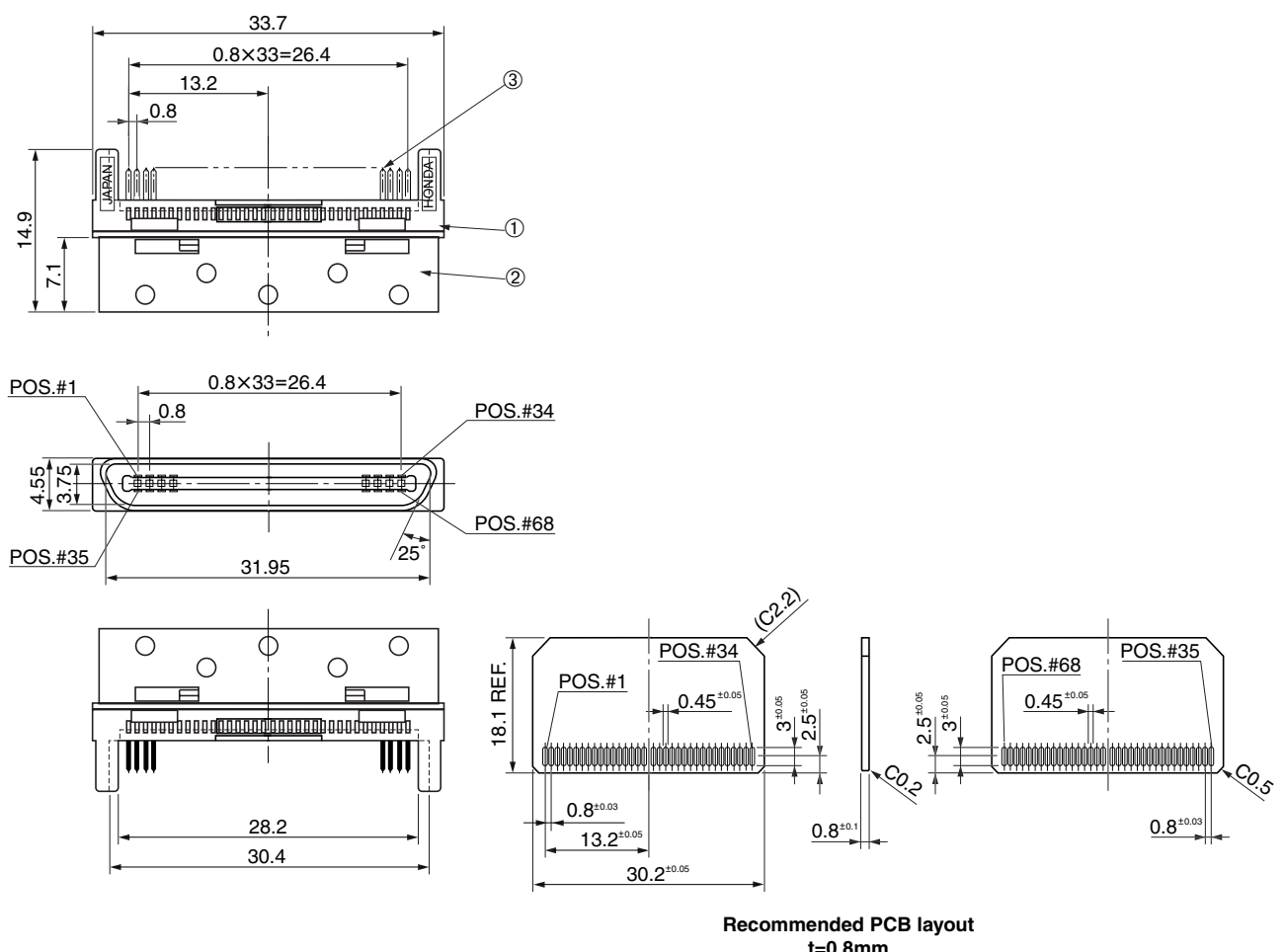
RoHS



● Configuration of product Part No.

HDRA- E 68 MT+

- ① Series name
- ② No. of contacts: 68
- ③ Type of contact
MT: Straddle SMT type, male



- Components
- ① Insulator
 - ② Shell
 - ③ Contacts

Mating connector: HDRA series through hole type or straddle SMT type female connector