

Right-angle through hole type female connector for PCB
 HDRA-EA36LFD T-()+

For PCB

Right-angle Through hole

RoHS

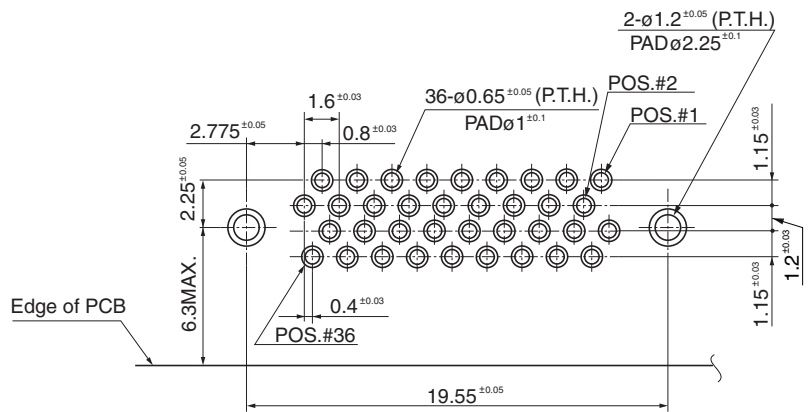
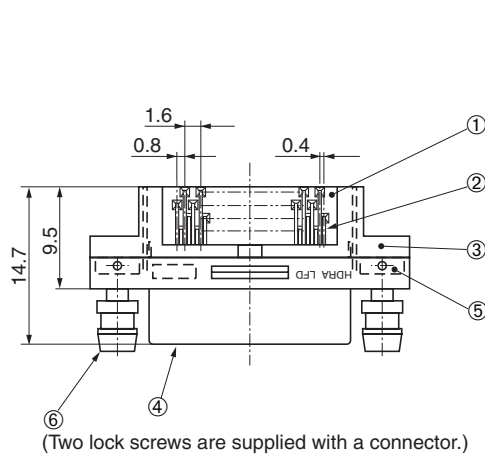
ANSI/SFF8441



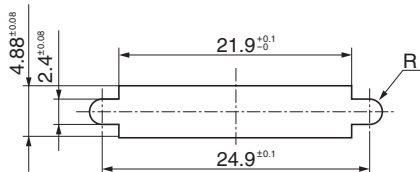
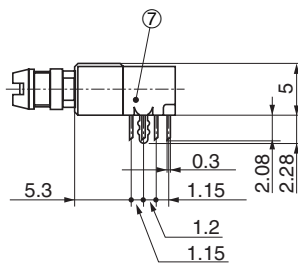
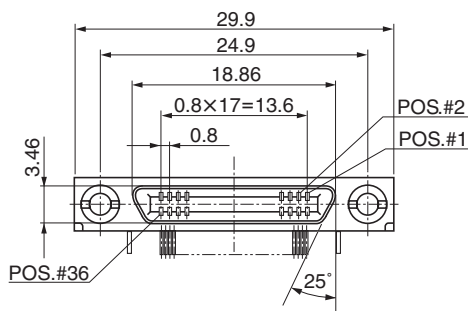
● Configuration of product Part No.

HDRA- EA 36 LFD T-()+

- ① Series name
- ② No. of contacts: 36
- ③ Type of contact
LFD: Right-angle through hole type, female
- ④ Provided with board lock mechanism
- ⑤ Lock screw
Blank: None
SL : Provided (Thickness of panel: 1.12 mm)



Recommended PCB layout
 t=1.6mm



Recommended panel cut-out dimensions

● Components

①	Bracket
②	Contacts
③	Insulator
④	Shell
⑤	Square nuts
⑥	Lock screw
⑦	Board lock pin

Select the connector according to panel thickness.
 For the application without panel, use washers or special lock screw (P/N: HDRA-E68LFD-7C).

Mating connector: HDRA series IDC type male cable connector

Note● Jack screw is not available at present.