

IDC type female connector for flat cable
LPC-B() ()FA()

2 mm pitch connector

For 1 mm pitch flat cable

IDC

RoHS



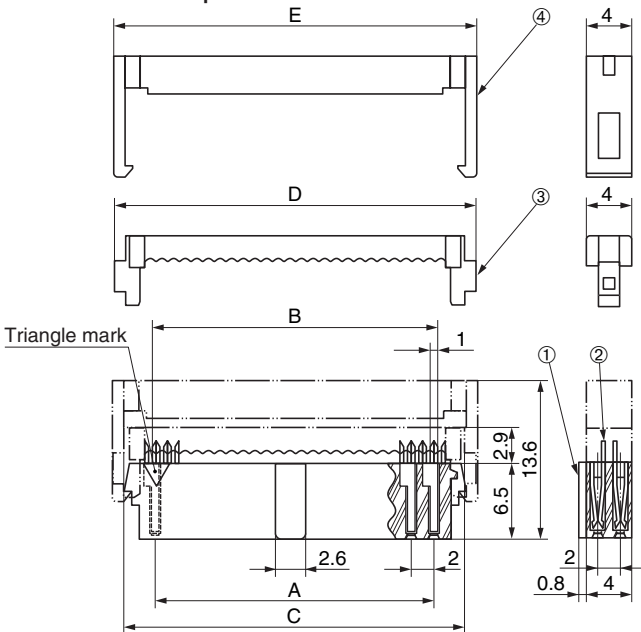
● Configuration of product Part No.

LPC-B () () FA ()

① ② ③ ④ ⑤

- ① Series name
- ② No. of contacts: 10, 12, 14, 16, 20, 22, 24, 26, 30, 36, 40, 44 or 50
- ③ Strain relief
Blank: Not provided
R : Provided
- ④ Type of contact: Female connector
- ⑤ Contact plating
G1 : Contact area 0.2 μm Gold plate
G2+: Contact area 0.05 μm Gold plate

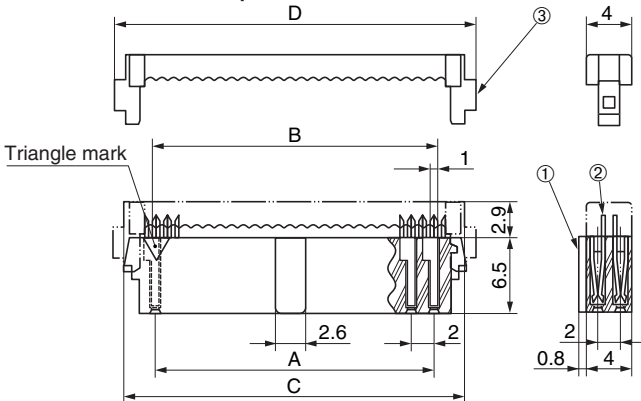
When strain relief is provided:



● Components

①	Insulator
②	Contacts
③	Cable housing
④	Strain relief

When strain relief is not provided:



● Dimensions

Part No.	A	B	C	D	E
LPC-B10RFA(),FA()	8	9	13.8	15.8	16
LPC-B12RFA(),FA()	10	11	15.8	17.8	18
LPC-B14RFA(),FA()	12	13	17.8	19.8	20
LPC-B16RFA(),FA()	14	15	19.8	21.8	22
LPC-B20RFA(),FA()	18	19	23.8	25.8	26
LPC-B22RFA(),FA()	20	21	25.8	27.8	28
LPC-B24RFA(),FA()	22	23	27.8	29.8	30
LPC-B26RFA(),FA()	24	25	29.8	31.8	32
LPC-B30RFA(),FA()	28	29	33.8	35.8	36
LPC-B36RFA(),FA()	34	35	39.8	41.8	42
LPC-B40RFA(),FA()	38	39	43.8	45.8	46
LPC-B44RFA(),FA()	42	43	47.8	49.8	50
LPC-B50RFA(),FA()	48	49	53.8	55.8	56

Mating connectors: LPC-B series male connectors for PCB

Tools: (Refer to page Tool-14)