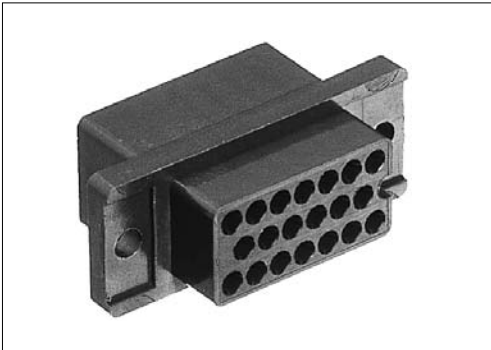


Crimping type female insulator for panel  
MRP-( )F01

For panel

Crimping

RoHS

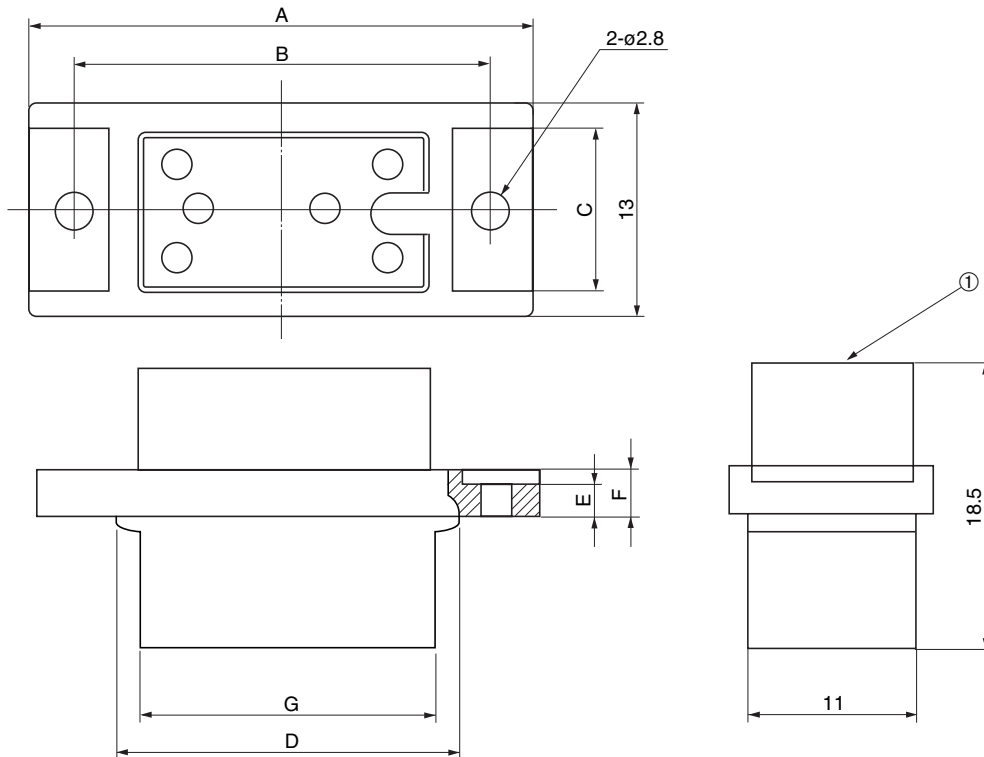


● Configuration of product Part No.

**MRP- ( ) F01**

①      ②      ③

- ① Series name
- ② No. of contacts: 8, 16, 20, 25, 34 or 50
- ③ Female insulator



● Dimensions

Part No.	A	B	C	D	E	F	G
MRP-8F01	22.4	17.4	5	11.9	1.9	3.4	—
MRP-16F01	30.2	25.2	10	19.7	2.4	3	21.3
MRP-20F01	32.8	27.8		22.3			
MRP-25F01	38.0	33.0		27.5			
MRP-34F01	45.8	40.8		35.3			
MRP-50F01	61.4	56.4	50.9	—	—	—	—

● Components

- ① Insulator

Applicable contacts: MRP-F1( ) ( )

Applicable case: MR-( )L+, MR-( )LW+

Mating connectors: MR and MRH series male connectors