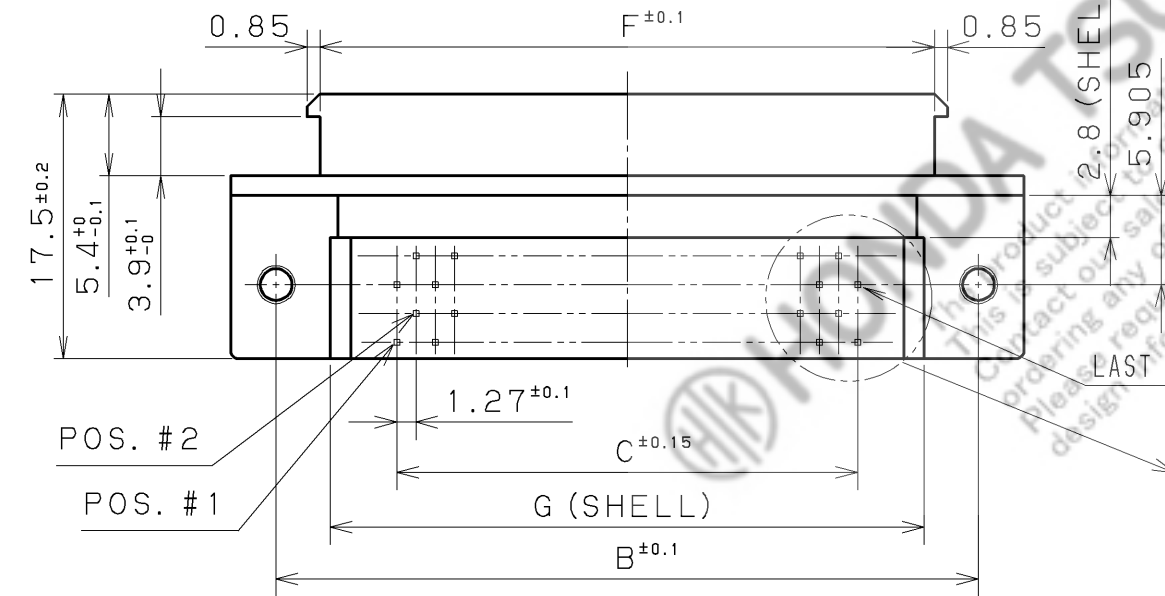
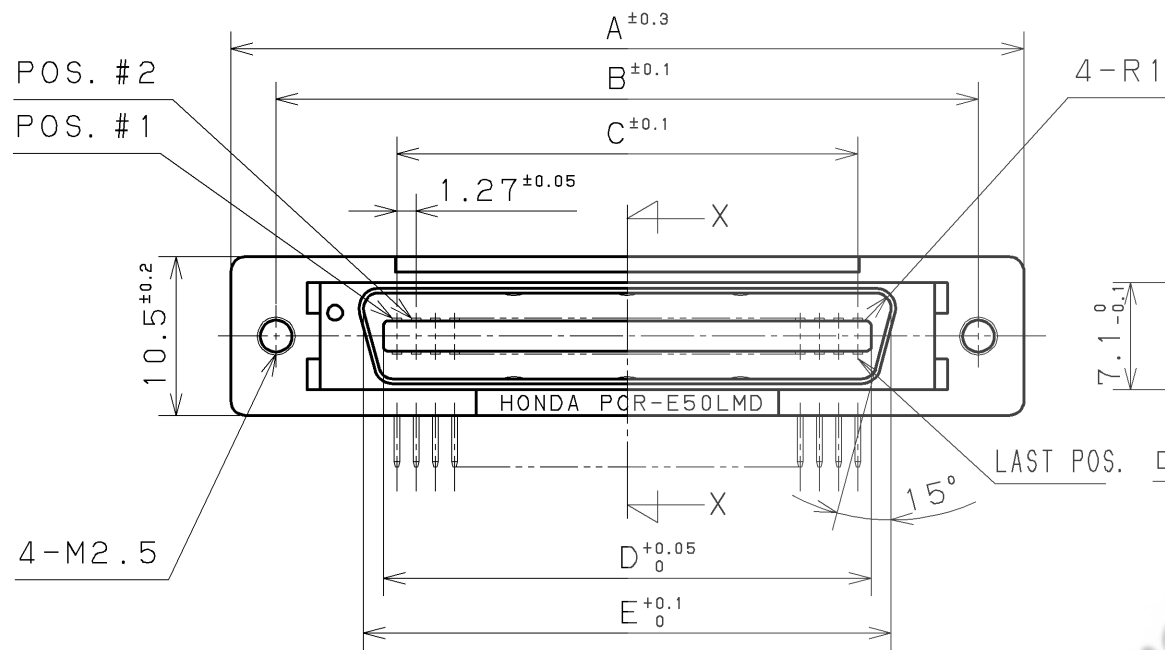
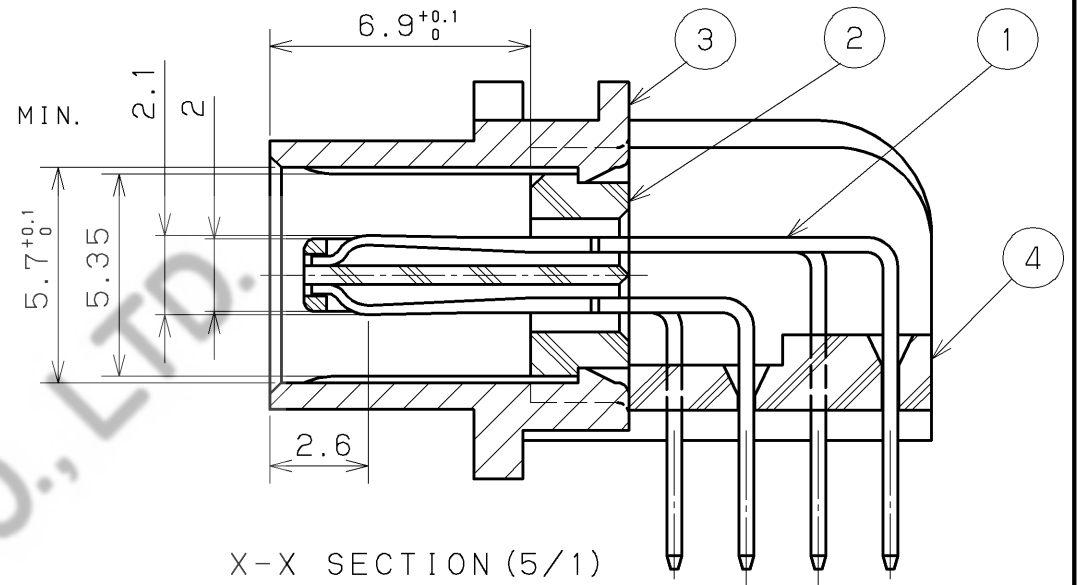
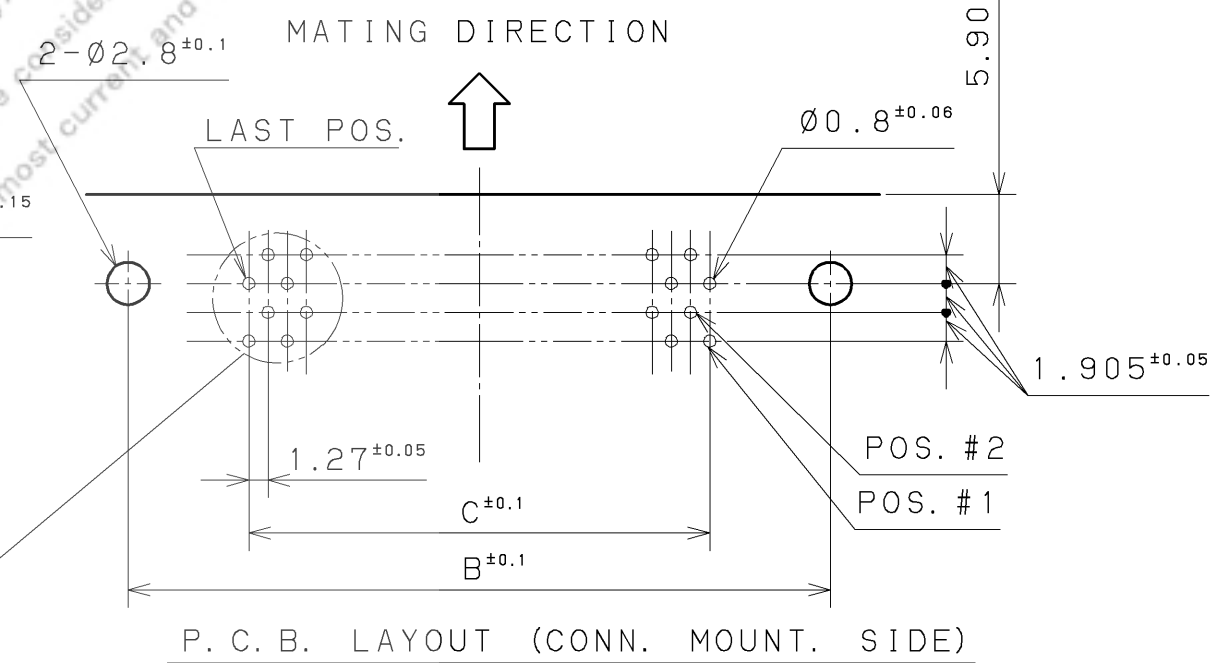


NOTE 1. CONTACT PLATING
 CONTACT AREA: GOLD 0.2μm MIN.
 TERMINATION AREA: GOLD 0.05μm MIN.
 ALL OVER NICKEL PLATING



This product information in this data is for reference only.
 This product is subject to change without notice.
 Please request the Engineering Drawing for the most current and accurate design information.



4	BRACKET	PBT (GF)	1		UL94V-0 BLACK
3	SHELL	ZINC DIE CASTING	1	Cu+Ni	
2	INSULATOR	PBT (GF)	1		UL94V-0 BLACK
1	CONTACT	PHOSPHOR BRONZE	No. of Pos.	SEE NOTE 1	

改版 LTR.	年月日 DATE	変更者 BY	変更内容 REV. DESCRIPT	番号 No.	部品名称 PART NAME	材質 MATERIAL	個数 QTY	処理 FINISH	備考 NOTE
May.21 (2004)									
製 図 DR.			設 計 DE.	検 査 CHK.	検 査 CHK.	承 認 APP.	本多通信工業株式会社 HONDA TSUSHIN KOGYO CO., LTD. 名称 NAME 1.27mm SPACING PCR-E TYPE R/A DIP MALE CONNECTOR (RoHS) 製 番 PART NO. PCR-E () LMD+		
T. KAWANO			T. KAWANO	T. SOGO	K. HOMMA	K. SATO			

No. of Pos.	PART NO.	A	B	C	D	E	F	G
96	PCR-E96LMD+	81.66	75.66	1.27X47=59.69	61.46	64.71	69.86	58.33
68	PCR-E68LMD+	63.88	57.88	1.27X39=41.91	43.68	46.93	52.08	50.71
50	PCR-E50LMD+	52.45	46.45	1.27X24=30.48	32.25	35.50	40.65	39.28
36	PCR-E36LMD+	43.56	37.56	1.27X17=21.59	23.36	26.61	31.76	30.39
28	PCR-E28LMD+	38.48	32.48	1.27X13=16.51	18.28	21.53	26.68	25.31
20	PCR-E20LMD+	33.40	27.40	1.27X 9=11.43	13.20	16.45	21.60	20.23