

IDC type male connector for cable
PCS-D() () MA1()+

For cable

IDC (0.635 mm)

RoHS

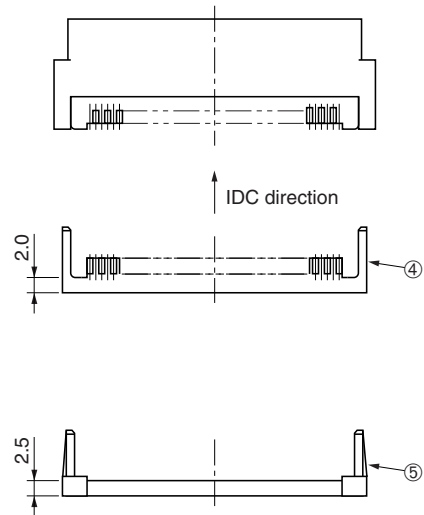
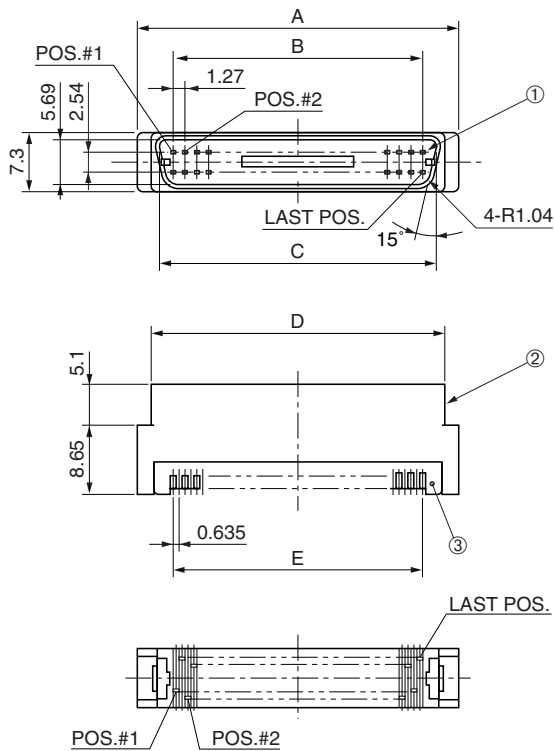
Daisy chain



● Configuration of product Part No.

PCS-D () () MA1 ()+
① ② ③ ④ ⑤ ⑥

- ① Series name
- ② No. of contacts: 50 or 68
- ③ Strain relief
Blank: Not provided
R : Provided
- ④ Type of contact: Male
- ⑤ Cable size
A: AWG#30 (7 / 0.1) For flat cable
- ⑥ Contact plating
Blank: Min. 0.2 μm Gold plating
G1 : Min. 0.76 μm Gold plating



● Components

①	Contacts
②	Insulator
③	Cable housing A
④	Cable housing B
⑤	Strain relief

Because some combinations of "Configurations of Product Part No.", are under consideration for development, please contact us for availability details.

● Dimensions

Part No.	A	B	C	D	E
PCS-D50()MA1()+	40.13	30.48	34.85	36.8	31.115
PCS-D68()MA1()+	51.56	41.91	46.28	48.23	42.545

Mating connectors: PCS series straight through hole type female connector for PCB

PCS-XE series through hole type female connector for PCB

Required tools: MLPT-0003A (68 contacts) and MLPT-0003B (50 contacts) locators