

# EMI-filtered vertical type die-cast material backshell for standard cables

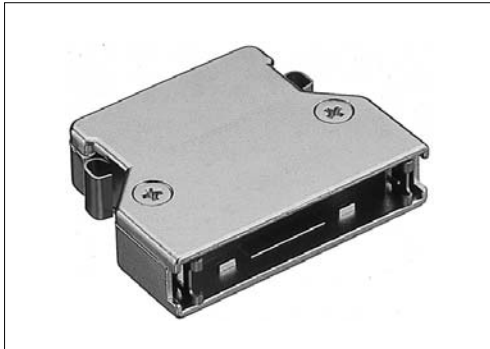
## PCS-E( )L( )

1.27 mm pitch connectors

Backshell

Vertical

EMI-filtered

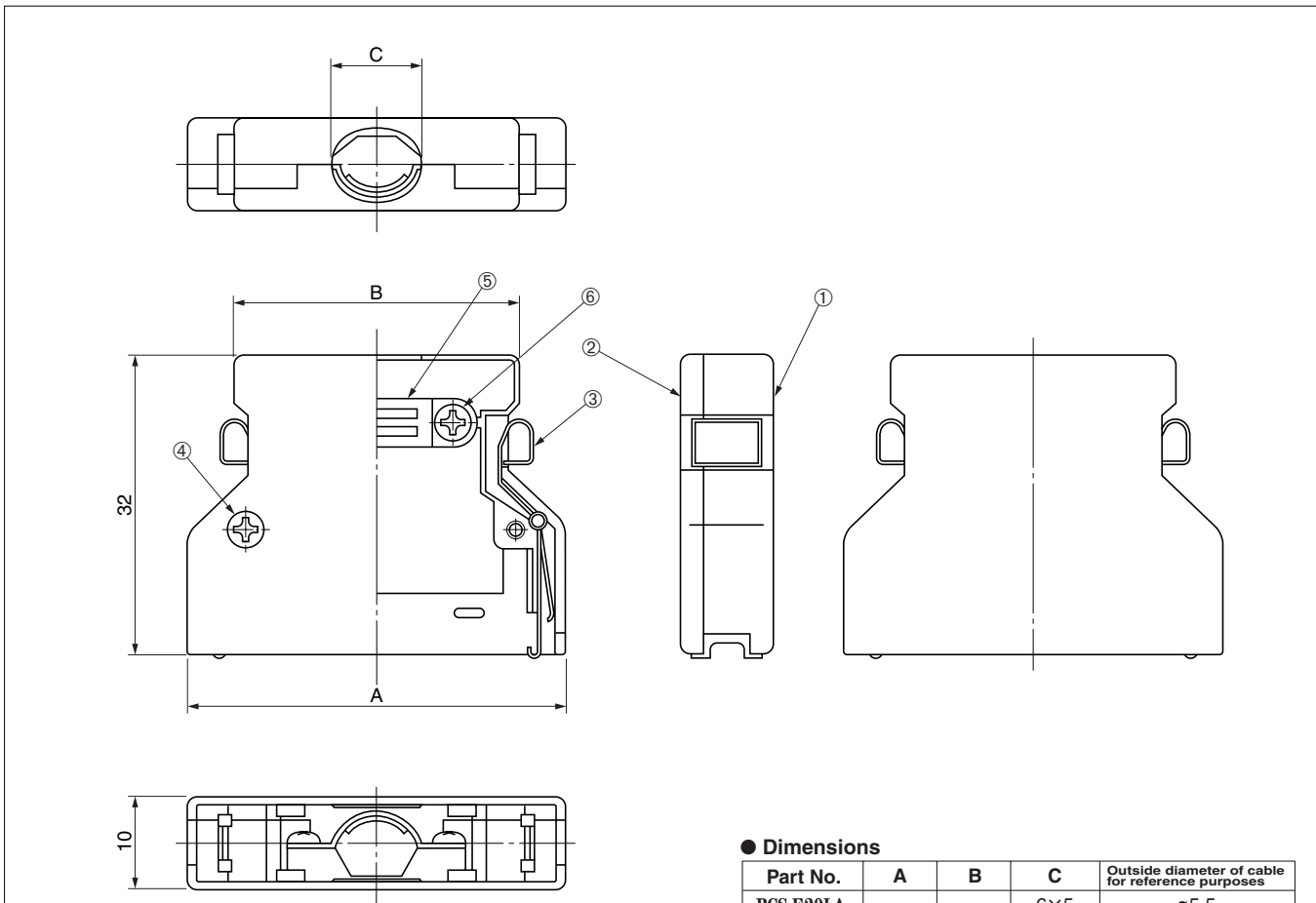


● Configuration of product Part No.

**PCS-E ( ) L ( )**

①      ②      ③      ④

- ① Series name
- ② No. of contacts: 20, 28, 36, 50 or 68
- ③ Type of backshell  
L: Vertical type backshell for standard cable
- ④ Identification mark (A, B or C) of cable-end-outlet dimension.  
Cable diameters for reference purposes are shown in the Dimension table as below.



● Components

①	Cover A
②	Cover B
③	Latch
④	⊕Small-sized Phillips flat head screw
⑤	Cable clamp
⑥	⊕Small-sized Phillips head screw

● Dimensions

Part No.	A	B	C	Outside diameter of cable for reference purposes
PCS-E20LA	30.0	20.3	6×5	ø5.5
PCS-E20LB			8×7	ø7.5
PCS-E20LC			10.3×8.5	ø4.3 + ø8.7
PCS-E28LA	35.0	25.3	6.5×5	ø5.5, ø5.9
PCS-E28LB			9.5×8.5	ø9
PCS-E36LA	40.2	30.5	9.5×8	ø8.4, ø9
PCS-E50LA	48.9	39.2	8.5×7	ø7.3, ø8
PCS-E68LA	60.3	50.6	8.5×7.5	ø8.1

For use with connector: PCS-E series of IDC type female connectors for cables  
 PCS-E series of Soldering type female connectors for cables  
 PCS-XE series of IDC type male connectors for cables