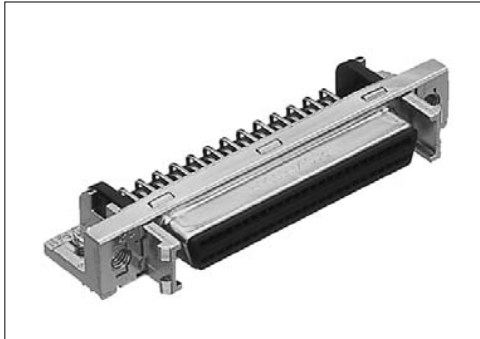


Right-angle through hole type female connector for PCB
 PCS-XE()SLFDT()()+



● Configuration of product Part No.

PCS-XE () S LFD T () ()+
 ① ② ③ ④ ⑤ ⑥ ⑦

- ① Series name
- ② No. of contacts: 26, 50 or 68
- ③ Type of shell
S: Short shell
- ④ Type of connector
LFD: Right-angle through hole type, female
- ⑤ Board lock pin: Provided
- ⑥ Screw size
Blank: M2.5×0.45 (standard)
U : #4-40UNC
U2 : #2-56UNC
- ⑦ Contact plating
Blank: Min. 0.2 μm Gold plating
G1 : Min. 0.76 μm Gold plating

● Components

①	Bracket
②	Shell B
③	Insulator
④	Shell A
⑤	Contacts
⑥	Board lock pin

● Dimensions

Part No.	A	B	C	D	E	F
PCS-XE26SLFDT()()+	37.2	31.2	15.24	19.46	27.05	24.05
PCS-XE50SLFDT()()+	52.5	46.5	30.48	34.7	42.29	39.28
PCS-XE68SLFDT()()+	63.9	57.9	41.91	46.13	53.72	50.71

Because some combinations of "Configurations of Product Part No.", are under consideration for development, please contact us for availability details.

Recommended PCB layout (Connector side)
t = 1.6 mm

Mating connectors: PCS-XE series IDC type male connector for cable