

Straight Press-in type female connector for PCB
PCS-XE50SFP() ()

For PCB

Straight Press-in

RoHS

SCSI-II

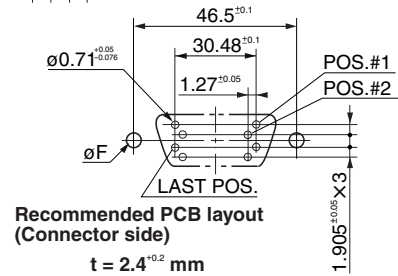
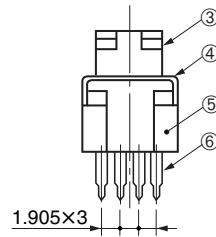
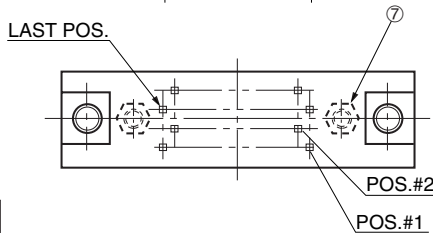
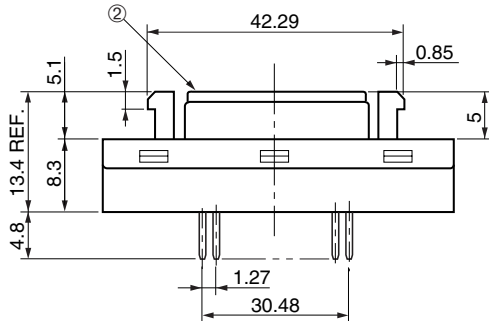
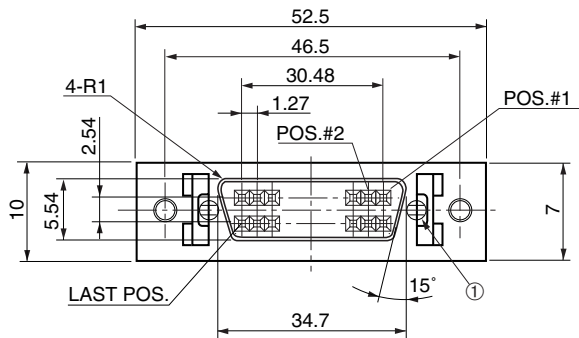


● Configuration of product Part No.

PCS-XE 50 SFP () ()

① ② ③ ④ ⑤

- ① Series name
- ② No. of contacts: 50
- ③ Type of connector
SFP: Straight Press-in type, female
- ④ Screw size
Blank: M2.5×0.45 (standard)
U : #4-40UNC
U2 : #2-56UNC
- ⑤ Contact plating
G1: Min. 0.76 μm Gold plating



● Components

①	Small flat head
②	Insulator A screw
③	Shell A
④	Shell B
⑤	Insulator B
⑥	Contacts
⑦	Hex. nuts

Because some combinations of "Configurations of Product Part No.", are under consideration for development, please contact us for availability details.

● Dimensions

Part No.	Screws size	øF
PCS-XE50SFP()	M2.5×0.45	2.8
PCS-XE50SFPU()	#4-40UNC	3.05
PCS-XE50SFPU2()	#2-56UNC	2.5

Mating connectors: PCS-XE series IDC type male connector for cable