

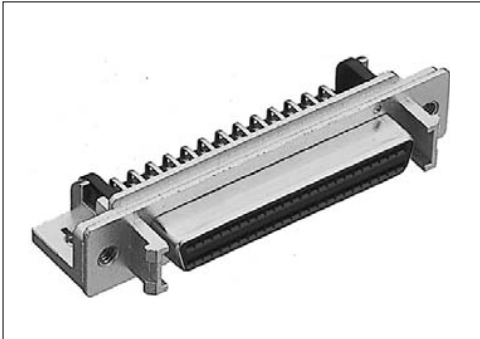
Right-angle through hole type female connector for PCB
 PCS-XE()LFD()()+

For PCB

Right-angle Through hole

RoHS

SCSI-II

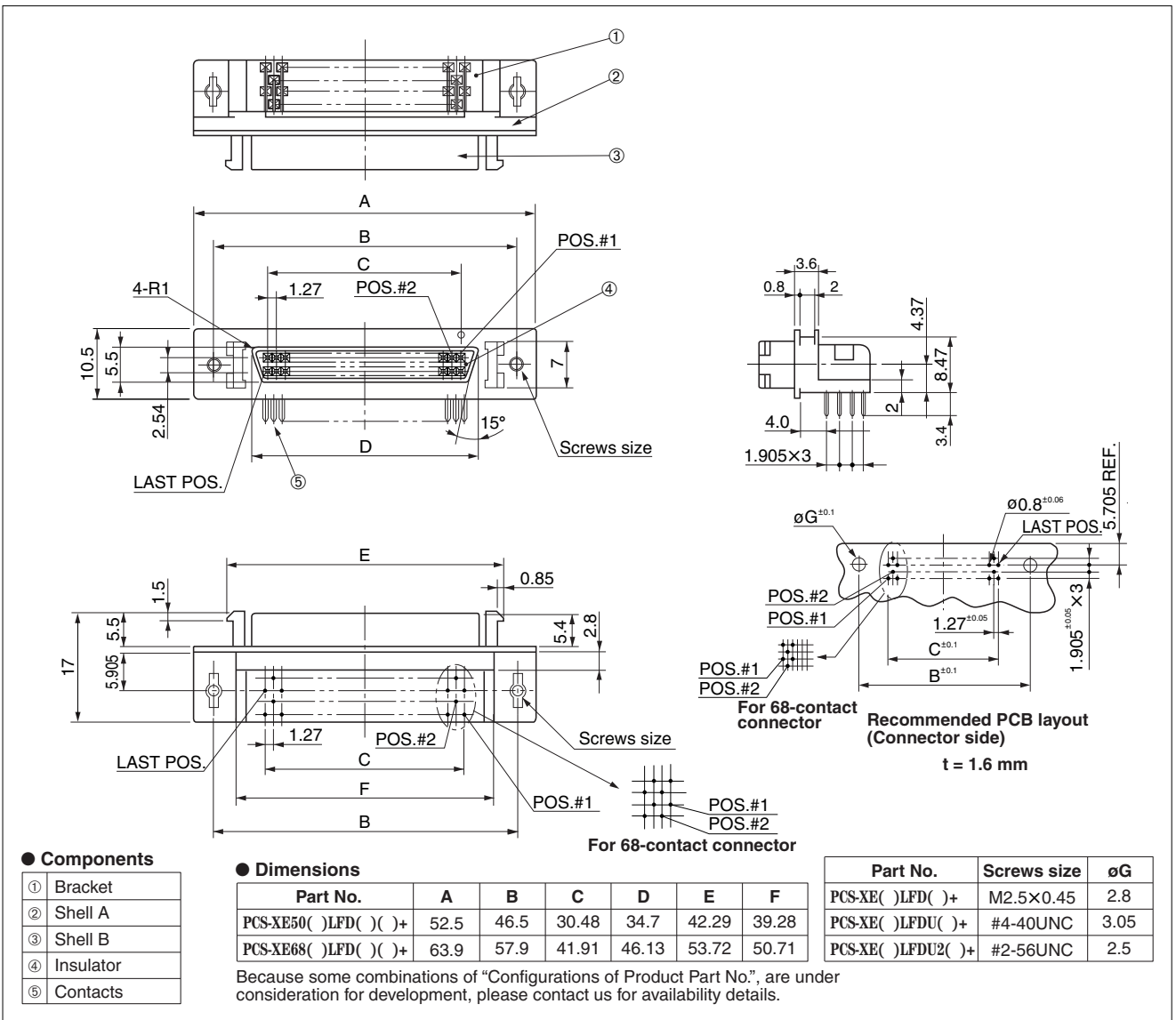


● Configuration of product Part No.

PCS-XE () LFD () ()+

① ② ③ ④ ⑤

- ① Series name
- ② No. of contacts: 50 or 68
- ③ Type of connector
LFD: Right-angle through hole type, female
- ④ Screw size
Blank: M2.5×0.45 (standard)
U : #4-40UNC
U2 : #2-56UNC
- ⑤ Contact plating
Blank: Min. 0.2 μm Gold plating
G1 : Min. 0.76 μm Gold plating



Mating connectors: PCS-XE series IDC type male connector for cable