

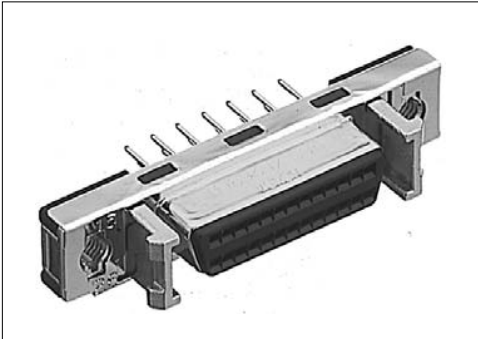
Straight through hole type female connector for PCB  
 PCS-XE( )SFD( )( )+

For PCB

Straight Through hole

SCSI-II

RoHS

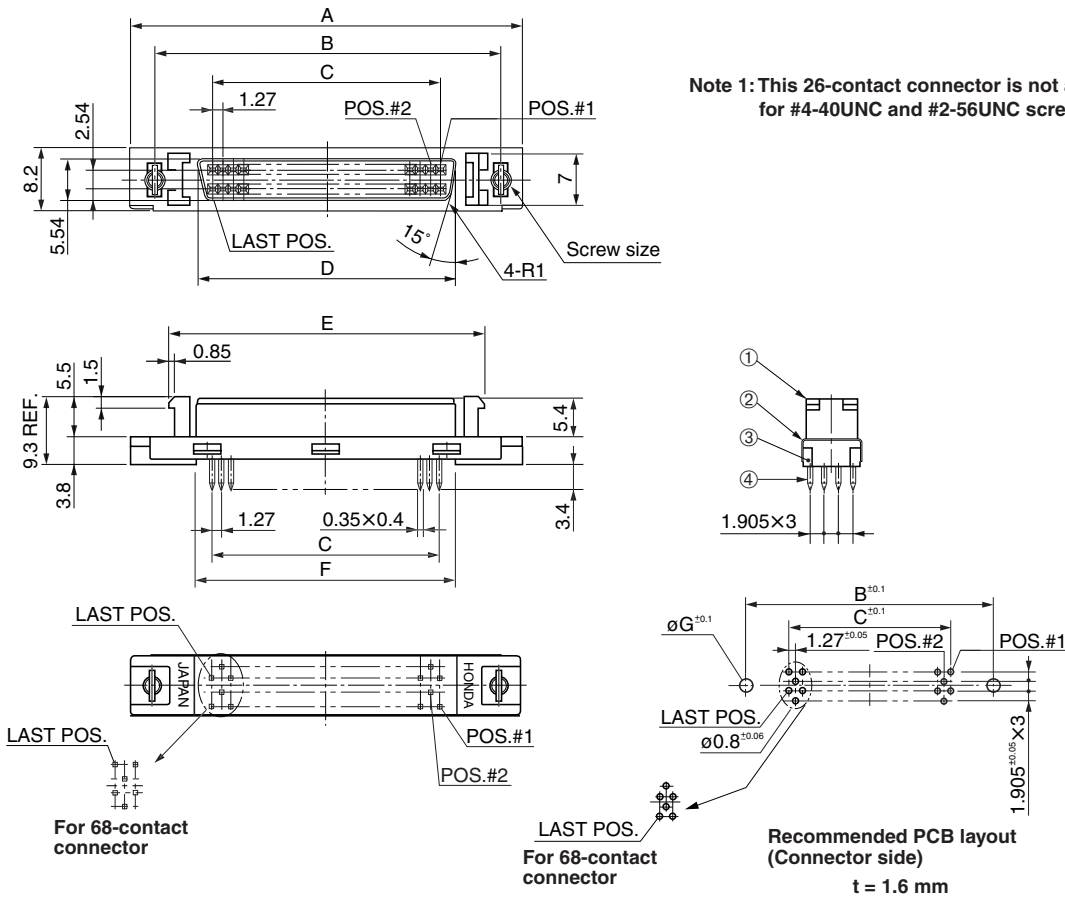


● Configuration of product Part No.

PCS-XE ( ) S FD ( ) ( )+

① ② ③ ④ ⑤ ⑥

- ① Series name
- ② No. of contacts: 26, 50 or 68
- ③ Type of shell  
S: Short shell
- ④ Type of connector  
FD: Straight through hole type, female
- ⑤ Screw size  
Blank: M2.5×0.45 (standard)  
U : #4-40UNC  
U2 : #2-56UNC
- ⑥ Contact plating  
Blank: Min. 0.2 μm Gold plating  
G1 : Min. 0.76 μm Gold plating



● Dimensions

Part No.	A	B	C	D	E	F
PCS-XE26SFD( )( )+	37.2	31.2	15.24	19.46	27.05	20.0
PCS-XE50SFD( )( )+	52.5	46.5	30.48	34.7	42.29	35.24
PCS-XE68SFD( )( )+	63.9	57.9	41.91	46.13	53.72	46.67

● Components

①	Shell A
②	Shell B
③	Insulator
④	Contacts

Because some combinations of "Configurations of Product Part No.", are under consideration for development, please contact us for availability details.

Part No.	Screws size	øG
PCS-XE( )SFD( )+	M2.5×0.45	2.8
PCS-XE( )SFDU( )+	#4-40UNC	3.05
PCS-XE( )SFDU2( )+	#2-56UNC	2.5

Mating connectors: PCS-XE series IDC type male connector for cable