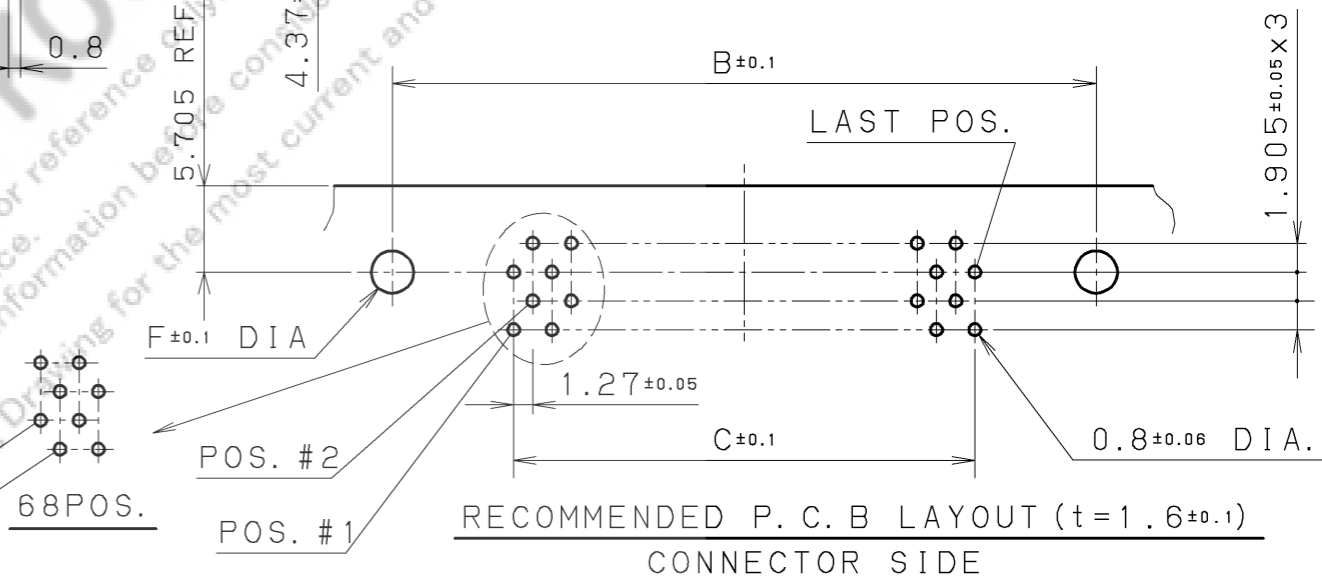
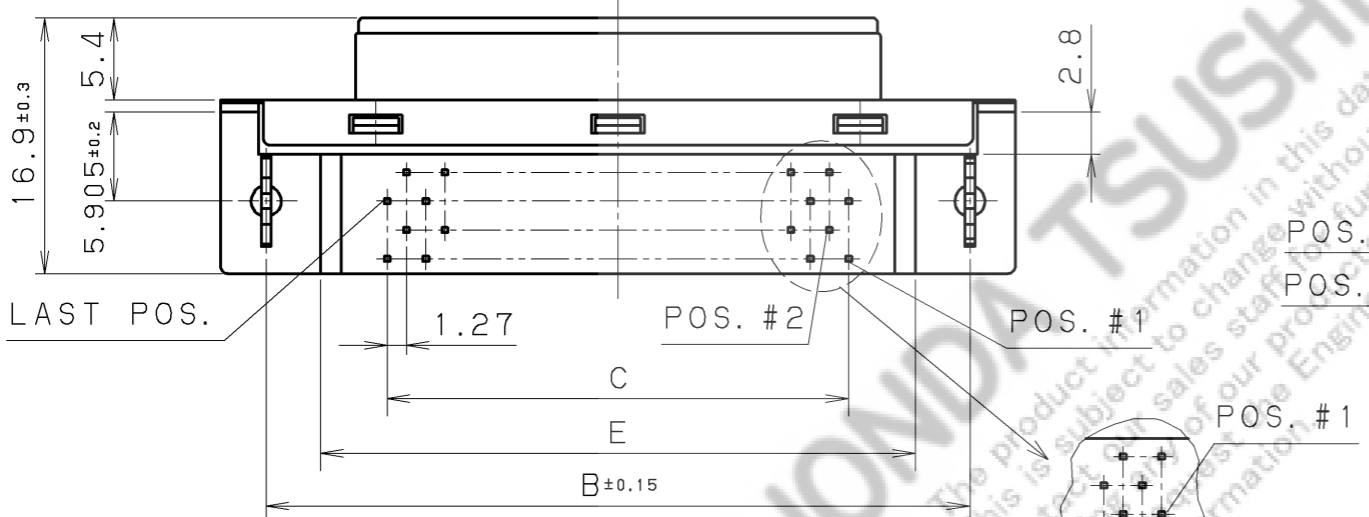
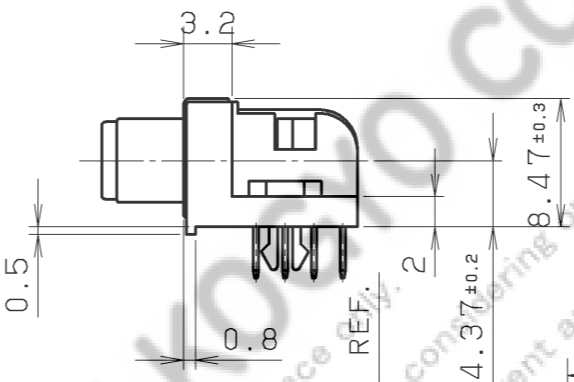
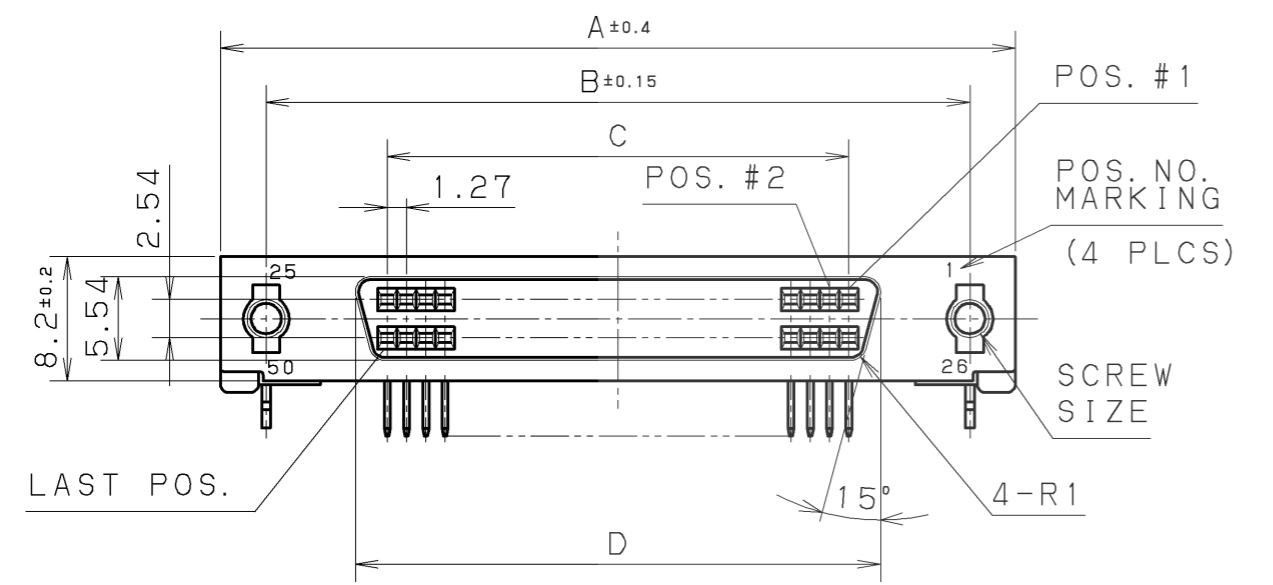
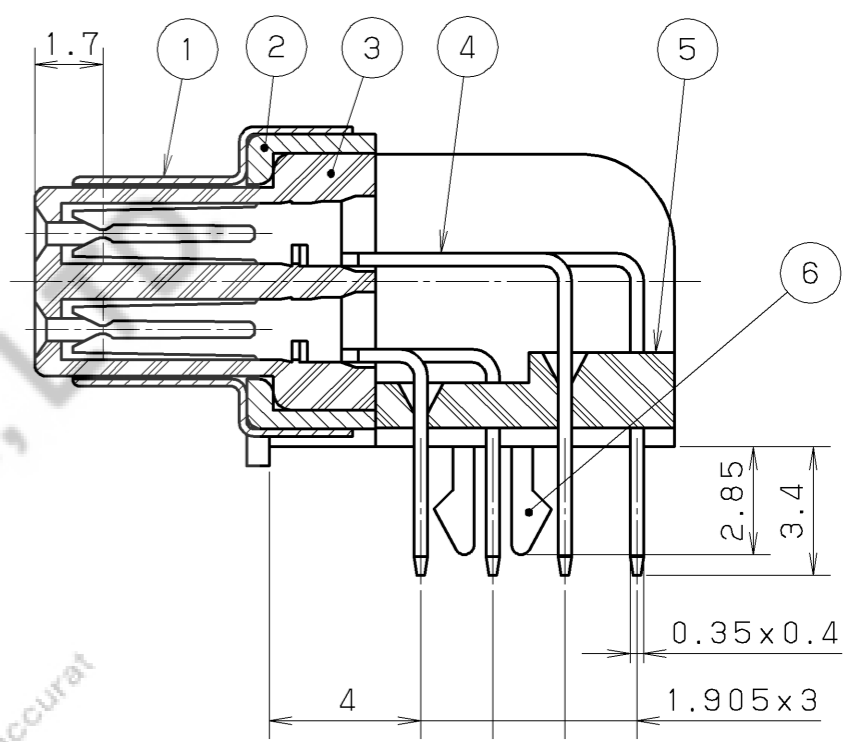


NOTE
 1. CONTACT PLATING
 CONTACT AREA: GOLD 0.2μm MIN.
 TERMINATION AREA: GOLD 0.05μm MIN.
 UNDERPLATING: NICKEL



RoHS COMPLIANT

PCS-XE () SLFDTU3N+	#2-56UNC	3.05
PCS-XE () SLFDTU2N+	#2-56UNC	2.5
PCS-XE () SLFDTUN+	#4-40UNC	3.05
PCS-XE () SLFDTN+	M2.5X0.45	2.8
PART NO.	SCREW SIZE	F

PART NO.
 PCS-XE68SLFDTU3N+
 NO. OF POS.
 SCREW SIZE

6	BOARD LOCK	PHOSPHOR BRONZE	2	TIN PLATING	—
5	BRACKET	PBT (GF)	1	—	UL94V-0 BLACK
4	CONTACT	PHOSPHOR BRONZE	NO. OF POS.	SEE NOTE #1	—
3	INSULATOR	PBT (GF)	1	—	UL94V-0 BLACK
2	SHELL A	ZINC ALLOY	1	NICKEL PLATING	—
1	SHELL B	STEEL	1	NICKEL PLATING	—

LTR.	DATE	BY	REV.	DESCRIPT	No.	PART NAME	MATERIAL	QTY	FINISH	NOTE
△										
△										
△										

DATE	SCALE	UNIT	3RD. A. P	HONDA TSUSHIN KOGYO CO., LTD.			
MAY.21.2004	2 / 1	mm (INCH)		NAME			
APP. DATE&REV.				PART NO.			
DR.	DE.	CHK.	CHK.	APP.	PCS-XE TYPE FEMALE CONNECTOR (SCSI-3) (RoHS)		
T. KAWANO	T. KAWANO	T. SOGO	K. HOMMA	K. SATO	PCS-XE () SLFDT () N+		
							REV.

PART NO.	NO. OF POS.	A	B	C	D	E	POS. NO. MARKING
PCS-XE68SLFDT () N+	68	63.9	57.9	1.27x (34-1) = 41.91	46.13	50.71	1, 34, 35, 68
PCS-XE50SLFDT () N+	50	52.5	46.5	1.27x (25-1) = 30.48	34.70	39.28	1, 25, 26, 50