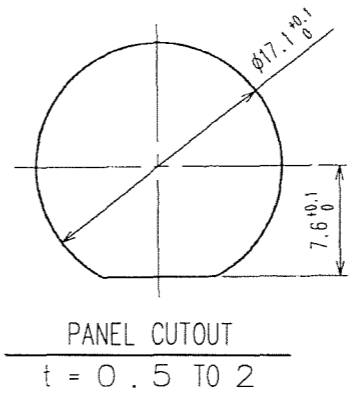
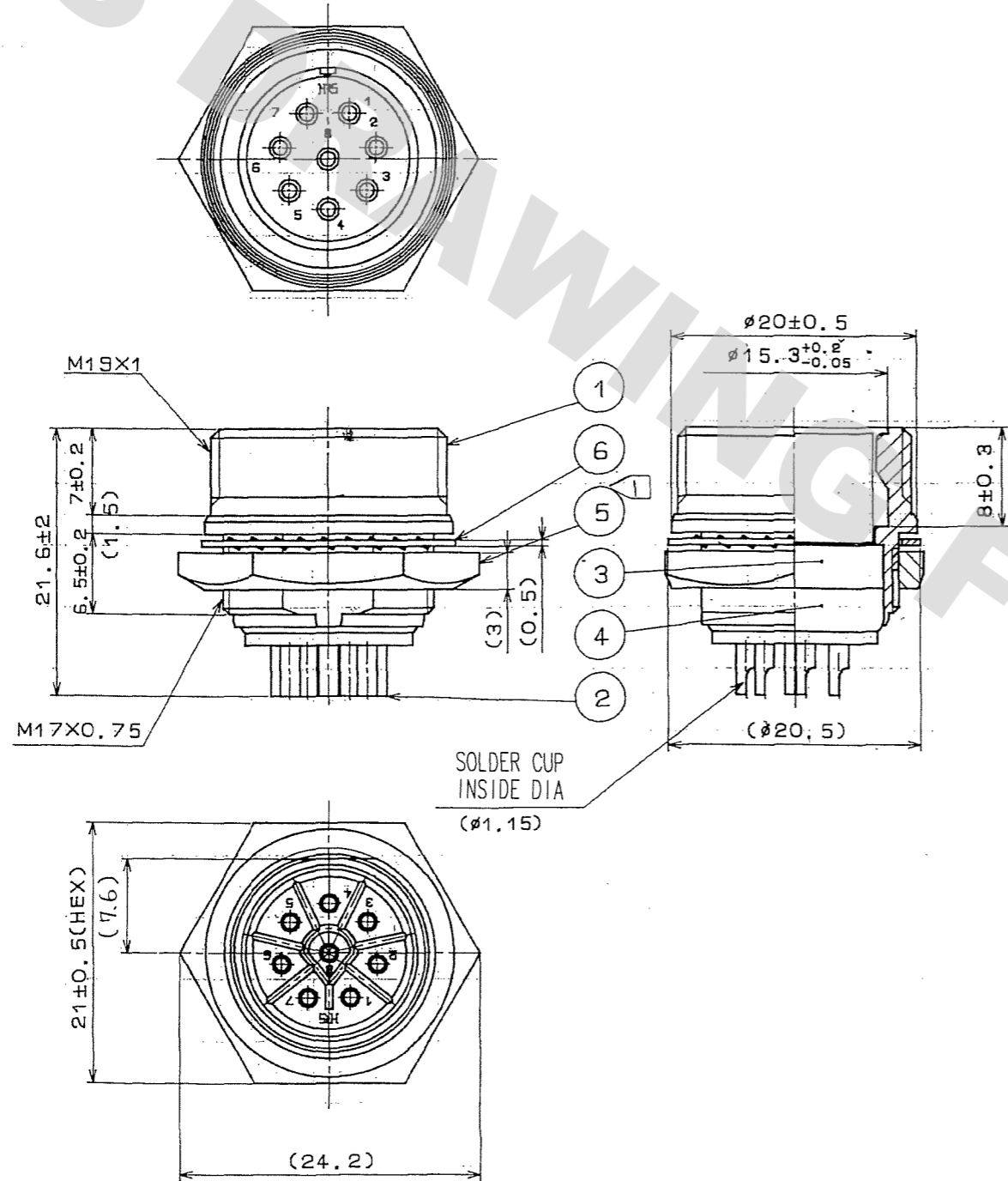


DRAWING FOR REFERENCE: This is subject to change without notice
08/11/2012

COUNT	DESCRIPTION OF REVISIONS	BY	CHKD	DATE	COUNT	DESCRIPTION OF REVISIONS	BY	CHKD	DATE



NOTE ① THE RECOMMENDED CLAMP TORQUE OF REF.NO.⑤ : $3\text{N} \cdot \text{m}$.
LOCTITE 242, HENKEL JAPAN OR EQUIVALENT IS RECOMMENDED TO PREVENT
REF.NO.⑤ FROM LOOSENING.

3	DIALYL PHTHALATE (BLACK)	UL94V-0	6	PHOSPHOR BRONZE	NICKEL PLATING
2	COPPER ALLOY	SILVER PLATING $5\mu\text{m min.}$	5	BRASS	NICKEL PLATING
1	ZINC ALLOY	NICKEL PLATING	4	DIALYL PHTHALATE (BLACK)	UL94V-0
NO.	MATERIAL	FINISH, REMARKS	NO.	MATERIAL	FINISH, REMARKS

CODE NO.(OLD)	DRAWN	DESIGNED	CHECKED	APPROVED	RELEASED
CL	<i>S. Komatsu</i>	<i>S. Komatsu</i>	<i>E. Kurita</i>	<i>M. Sato</i>	
	06.09.14	06.09.14	06.09.14	06.09.15	

SCALE	DRAWING NO.	PART NO.
2 : 1	EDC3-028518-71	RM15TRH-8S(71)
UNITS	CODE NO.	
mm	CL109-0868-6-71	

HRS HIROSE ELECTRIC CO., LTD

1/1