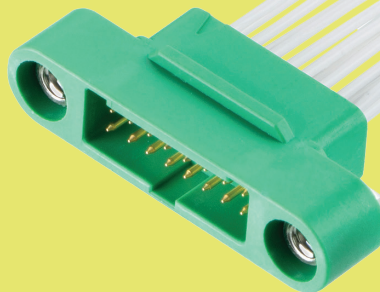


Gecko Screw-Lok Connectors

Male Cable Assemblies

- ❏ 4-finger Beryllium Copper contact.
- ❏ No. 1 position identified on housing.
- ❏ Stainless steel screw fixing to mate with applicable male connector.
- ❏ Back potted for added strain relief.



GECKO SCREW-LOK

PART NUMBERING SYSTEM

G125 - M C X XX 05 M1 - XXXX XX

SERIES CODE

GENDER - FIRST END

M	Male
----------	------

CABLE SIZE

1	26 AWG
2	28 AWG

TOTAL NO. OF CONTACTS

06, 10, 12, 16, 20, 26, 34, 50

TERMINATION - SECOND END

L	Loose cut end
FO	Female connector No fixings (use with Metal Hoods)
F1	Female connector Floating Hex Socket fixings
M	Male connector

CABLE LENGTH

0150	150mm
0300	300mm (double-ended)
0450	450mm (single-ended)

SCREW-LOK

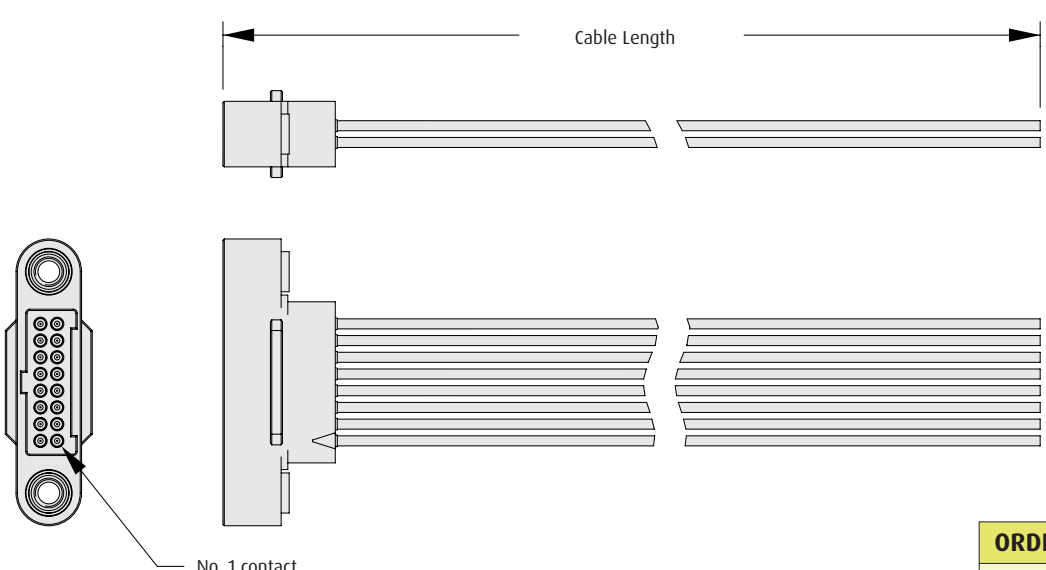
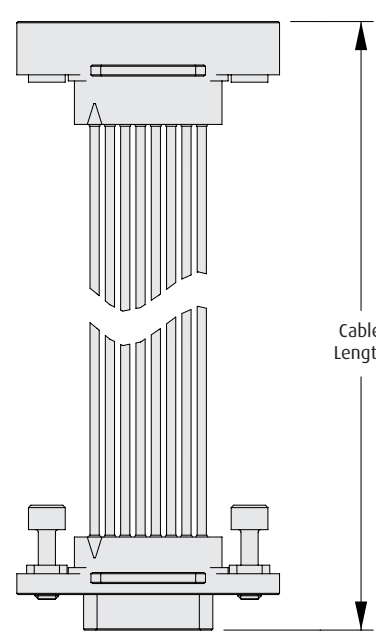
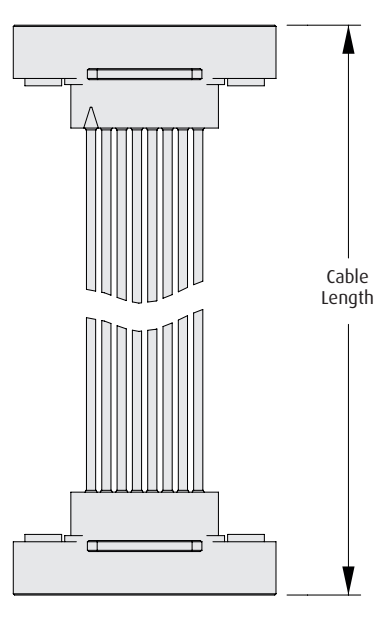
M1	Internal thread
-----------	-----------------

FINISH

05	Gold
-----------	------

Male Cable Assemblies

- ❖ See previous page for cable length options.
- ❖ Cable assemblies are constructed with Contact 1 attached to Contact 1, Contact 2 to Contact 2, etc.

<p>MALE SINGLE ENDED</p>  <p style="text-align: right;">ORDER CODE G125-MCXXX05M1-XXXXL</p>	
<p>MALE - FEMALE</p>  <p style="text-align: right;">ORDER CODE G125-MCXXX05M1-XXXXF1</p>	<p>MALE - MALE</p>  <p style="text-align: right;">ORDER CODE G125-MCXXX05M1-XXXXM1</p>

All dimensions in mm.

Patent Published