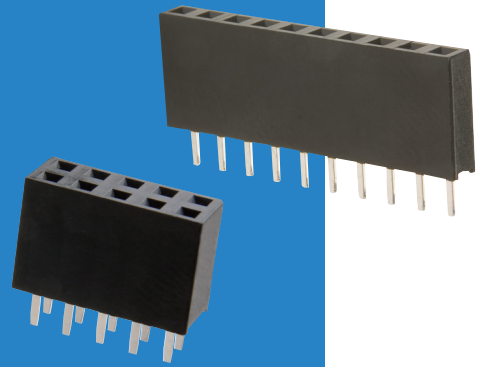


M20 Connectors

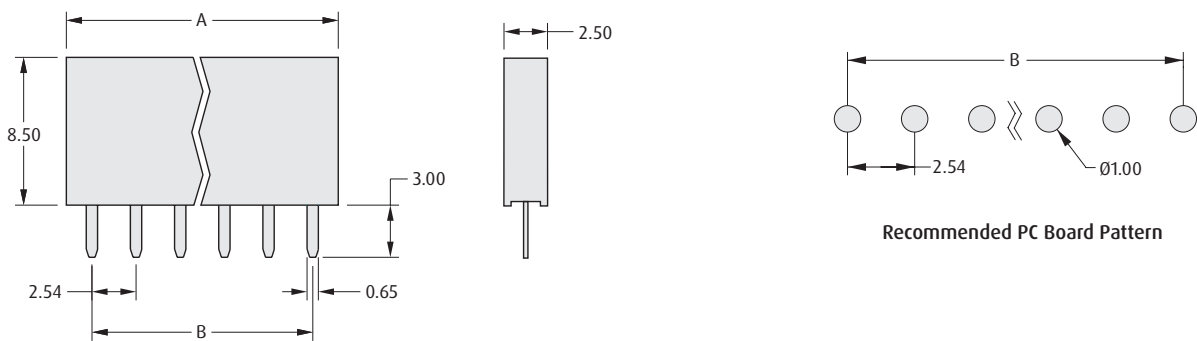
2.54mm (.100") PITCH

Female Vertical PC Tail

- Twin beam phosphor bronze contacts.
- Suitable for use with mating M20 male pin headers, with 0.64mm square pins.



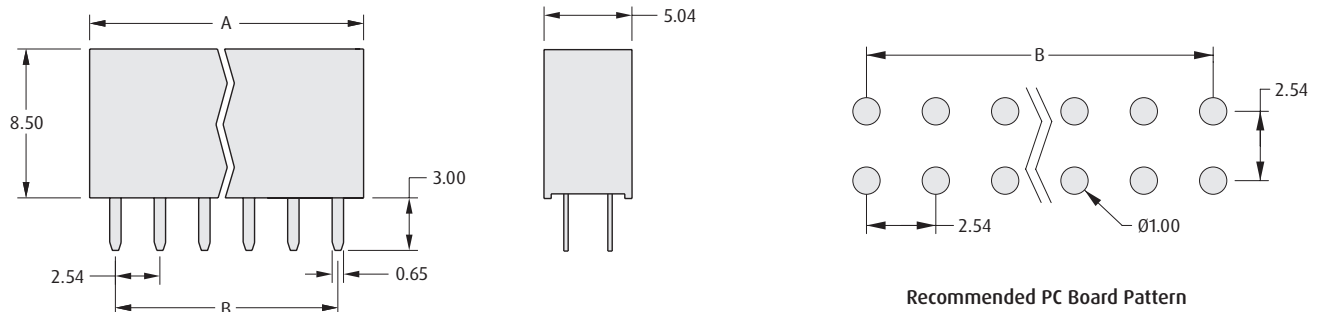
SINGLE ROW



CALCULATION

A	$B + 2.94$
B	$2.54 \times (\text{No. of contacts per row} - 1)$

DOUBLE ROW



HOW TO ORDER

M20 - 78 X XX XX

SERIES CODE

TYPE

2	Single Row
3	Double Row

FINISH

42	Gold + Tin
46	Tin

NO. OF CONTACTS PER ROW

02 to 20, 25, 32, 36

All dimensions in mm.