

Customer Information Sheet

DRAWING No.: M20-890XX05R

SHEET 2 OF 2

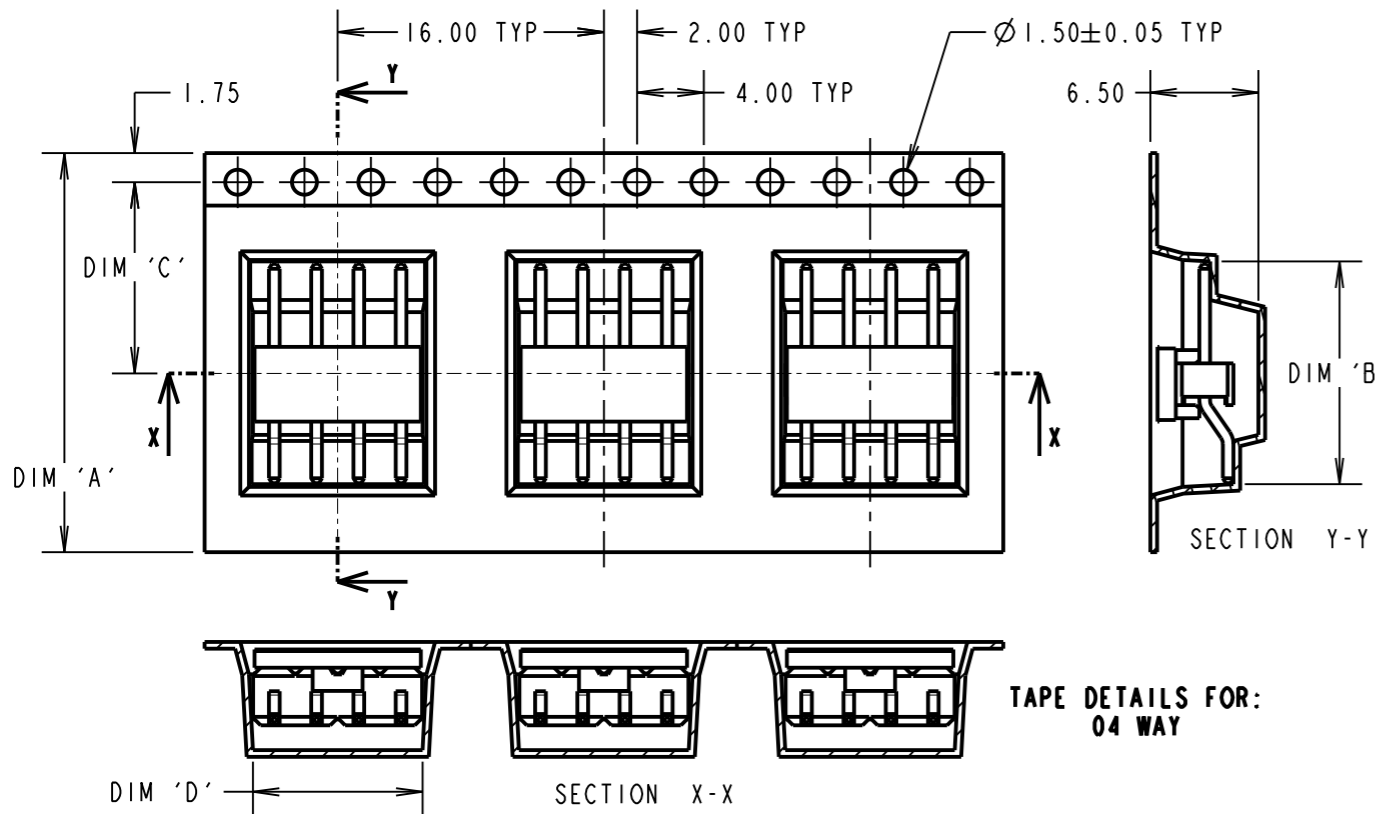
IF IN DOUBT - ASK

Ⓒ

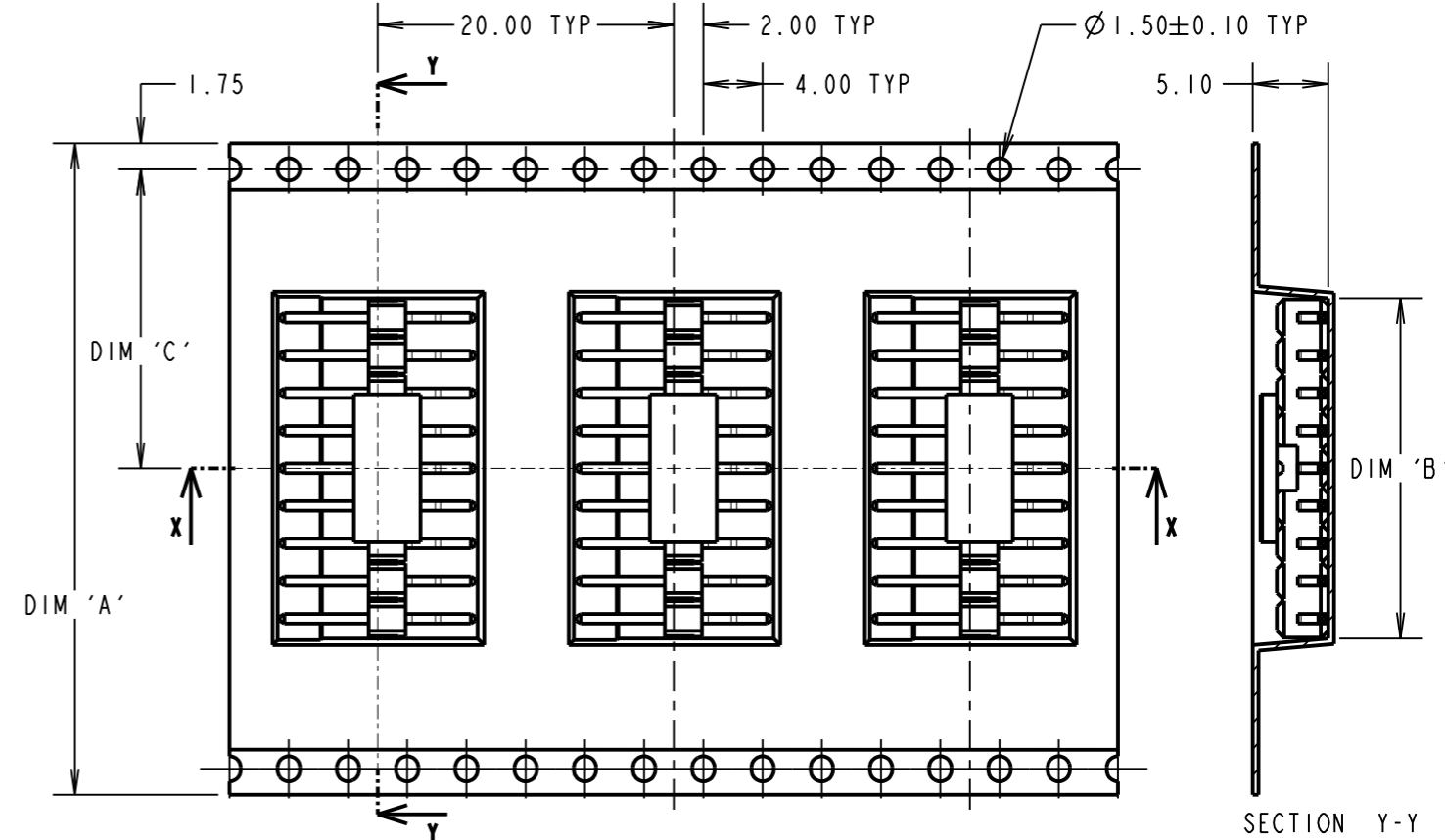
NOT TO SCALE

THIRD ANGLE PROJECTION

ALL DIMENSIONS IN mm



TAPE DETAILS FOR:
04 WAY

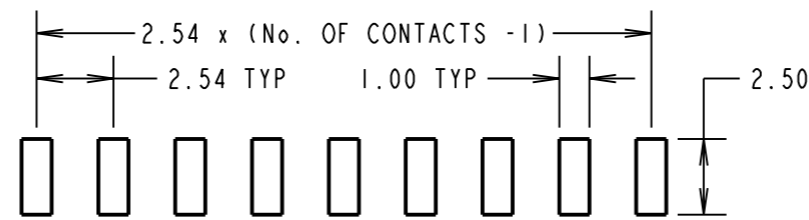
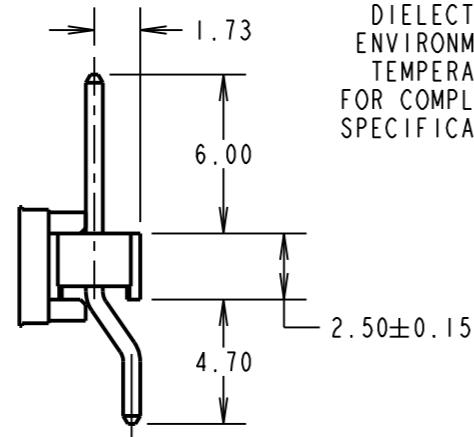
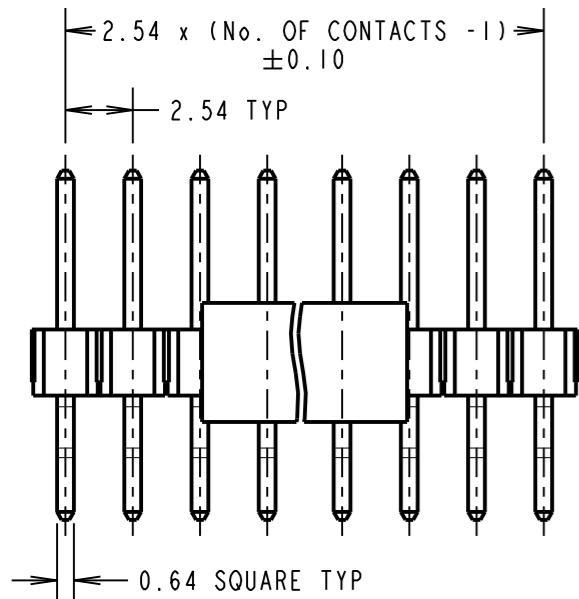


TAPE DETAILS FOR:
06, 09 & 20 WAY

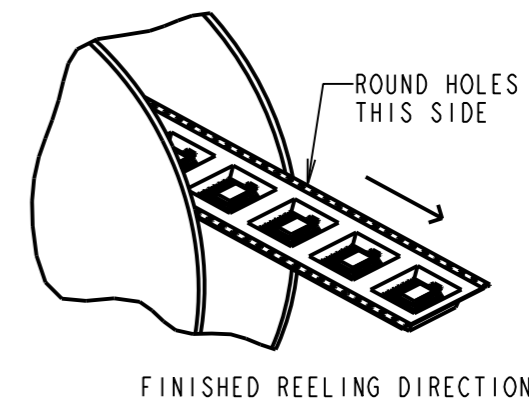
SPECIFICATION:
MATERIAL:
 MOULDING = NYLON 6T UL94V-0, BLACK
 CONTACT = BRASS
FINISH:
 CONTACT = GOLD FLASH OVER NICKEL
ELECTRICAL:
 CURRENT RATING = 3.0A
 CONTACT RESISTANCE = 20mΩ MAX
 INSULATION RESISTANCE = 5000MΩ MIN
 DIELECTRIC STRENGTH = 500V AC FOR ONE MIN
ENVIRONMENTAL:
 TEMPERATURE RANGE = -40°C TO +105°C
 FOR COMPLETE SPECIFICATION, SEE COMPONENT SPECIFICATION COO1XX (LATEST ISSUE).

NOTE:
 1. THIS PRODUCT IS TAPE AND REELED IN GENERAL ACCORDANCE WITH EIA-481 (ELECTRONIC INDUSTRIES ASSOCIATION).

PART No.	DIM 'A'	DIM 'B'	DIM 'C'	DIM 'D'
M20-8900405R	24.0±0.3	13.40±0.30	11.50	10.20±0.30
M20-8900605R	32.0±0.3	15.54±0.30	14.20	13.50±0.30
M20-8900905R	44.0±0.3	23.00±0.30	20.20	13.50±0.30
M20-8902005R	72.0±0.3	51.20±0.30	34.20	13.80±0.30

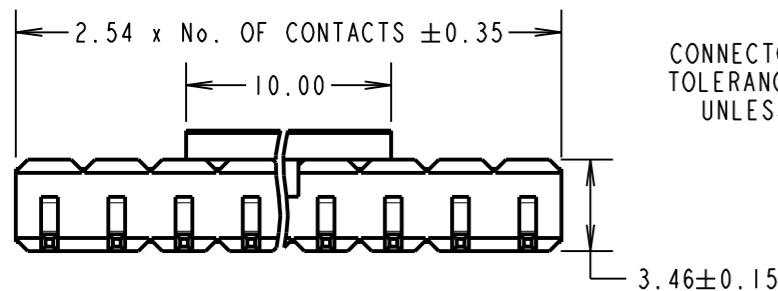


RECOMMENDED PAD LAYOUT
TOLERANCE ±0.05



SB	4	22.09.15	13107
NAME	ISS.	DATE	C/NOTE
APPROVED:		S. BENNETT	
CHECKED:		M. PLESTED	
DRAWN:		S. BENNETT	
CUSTOMER REF.:			
ASSEMBLY DRG:			

CONNECTOR DETAILS
TOLERANCE = ±0.25
UNLESS STATED



HARWIN
 www.harwin.com
 technical@harwin.com

THIS DRAWING AND ANY INFORMATION OR DESCRIPTIVE MATTER SET OUT HEREON ARE CONFIDENTIAL AND COPYRIGHT PROPERTY OF THE HARWIN GROUP AND MUST NOT BE DISCLOSED, LOANED, COPIED OR USED FOR MANUFACTURING, TENDERING OR FOR ANY OTHER PURPOSE WITHOUT THEIR WRITTEN PERMISSION.

TOLERANCES
 X. = ±1mm
 X.X = ±0.50mm
 X.XX = ±0.10mm
 X.XXX = ±0.01mm
 ANGLES = ±5°
 UNLESS STATED

MATERIAL: SEE ABOVE
FINISH: SEE ABOVE
S/AREA: mm²

TITLE: SIL HORIZONTAL SMT HEADER IN TAPE AND REEL
DRAWING NUMBER: M20-890XX05R
 SHT 2 OF 2