

M20 Connectors

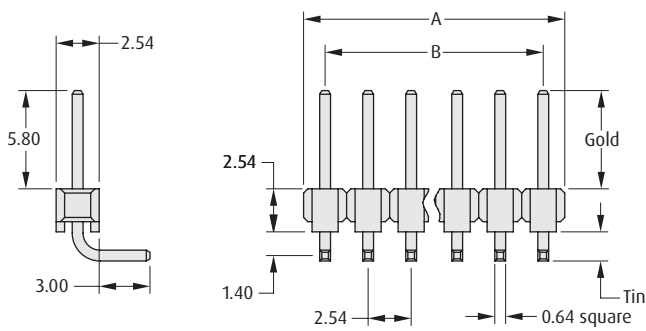
2.54mm (.100") PITCH

Male Horizontal Single Row PC Tail

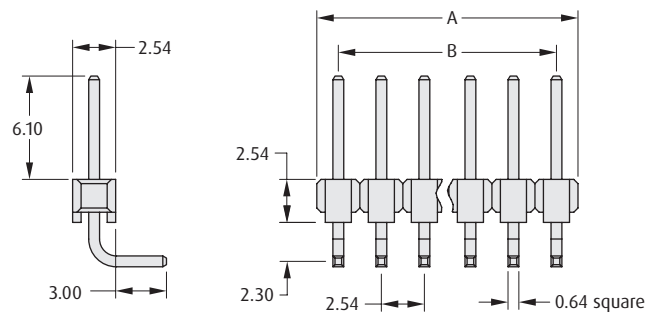
- ❖ Horizontal orientation for 90° board-to-board applications.
- ❖ Suitable for use with female connectors and jumper sockets shown on previous pages.
- ❖ Choice of mating pin lengths.
- ❖ Pin headers can be cut into smaller sizes.
- ❖ Also available with variable dimensions.



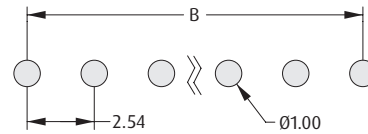
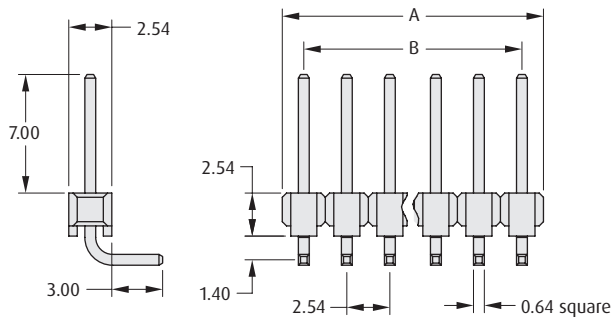
5.8mm



6.1mm



7.0mm



Recommended PC Board Pattern

CALCULATION

A	2.54 x No. of contacts per row
B	2.54 x (No. of contacts per row - 1)

HOW TO ORDER

M20 - 9 XX XX XX

SERIES CODE

TYPE

71	7.0mm Mating Height
75	5.8mm Mating Height
96	6.1mm Mating Height

FINISH

42	Gold + Tin (M20-975)
45	Gold (M20-971, 996)
46	Tin

NO. OF CONTACTS PER ROW

02 to 20, 22, 23, 26, 36, 40	7.0mm Mating Height
02 to 20, 25, 36, 40	5.8mm Mating Height
02 to 20, 24, 25, 36, 40	6.1mm Mating Height

All dimensions in mm.