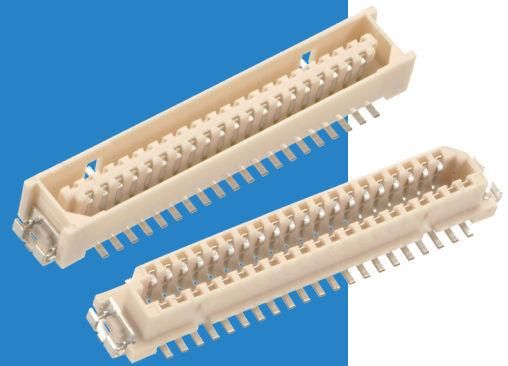


M40-600/620 Connectors

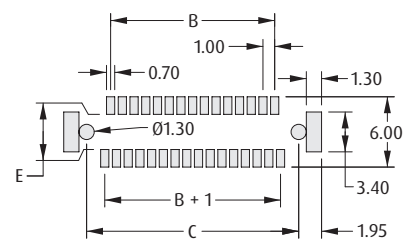
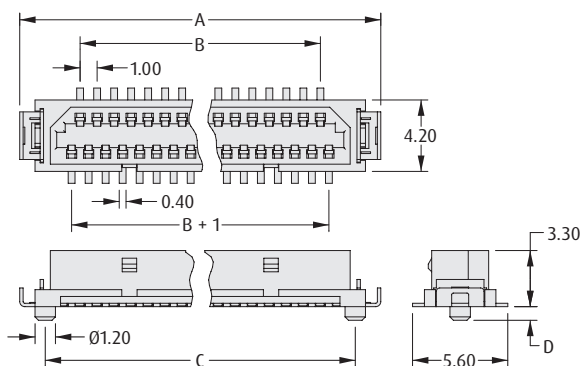
1mm (.039") PITCH

Vertical Surface Mount

- Locating pegs to ensure correct positioning onto the board.
- Polarized to prevent mis-mating.
- Staggered pin-out to help board layout.



FEMALE

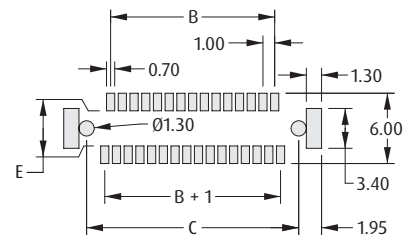
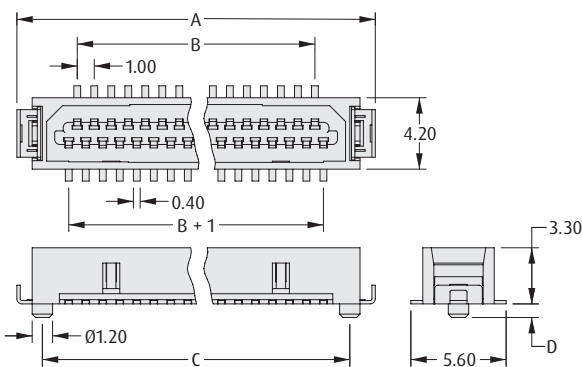


Recommended PC Board Pattern

CALCULATION

| | |
|----------|--|
| A | $B + 7.1$ |
| B | $(\text{Total No. Of Contacts} - 3) / 2$ |
| C | $B + 4.1$ |
| D | 1.00mm for 9, 15, 21, 25 way; otherwise 0.80mm |
| E | 1.84mm for 9, 15, 21, 25 way; otherwise 3.00mm |

MALE



Recommended PC Board Pattern

HOW TO ORDER

M40 - 6 X 0 XX XX X

SERIES CODE

GENDER

| | |
|----------|--------|
| 0 | Male |
| 2 | Female |

PACKAGING

| | |
|--------------|---------------|
| Blank | Loose |
| R | Tape & Reeled |

FINISH

| | |
|-----------|-----|
| 46 | Tin |
|-----------|-----|

TOTAL NO. OF CONTACTS

09, 15, 21, 25, 31, 41, 51

All dimensions in mm.