

# Customer Information Sheet

DRAWING No.: M80-00300XX

SHEET 2 OF 2

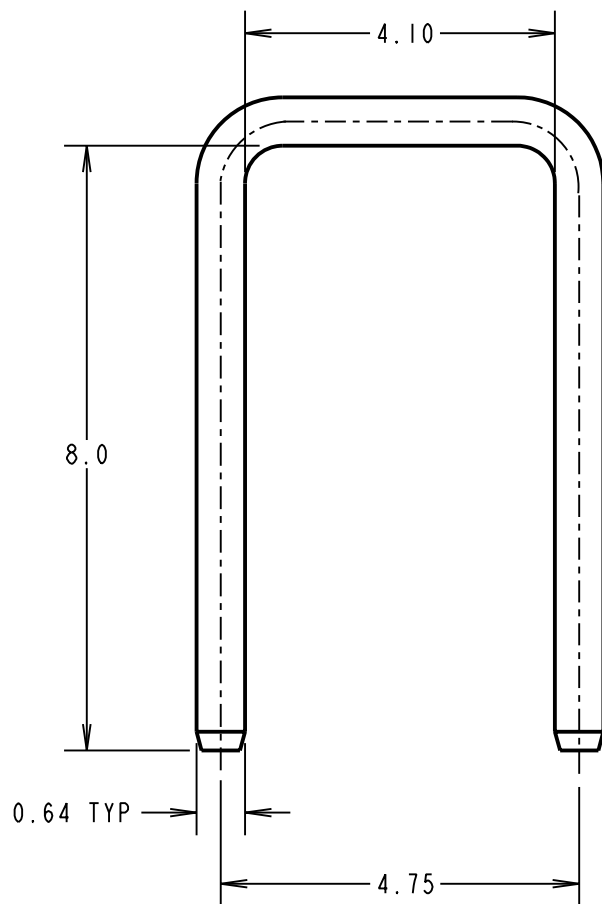
IF IN DOUBT - ASK



NOT TO SCALE

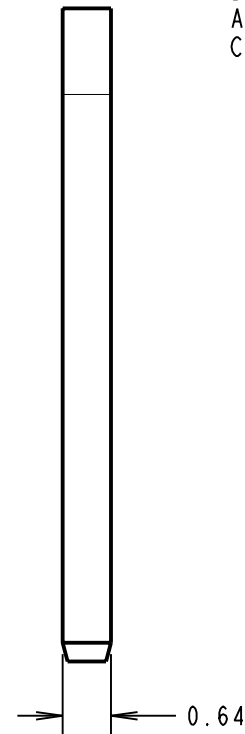
THIRD ANGLE PROJECTION

ALL DIMENSIONS IN mm



NOTES:

- SUPPLIED WITH ALL HORIZONTAL M80 DATAMATE LATCH-STYLE CONNECTORS. ALSO SUITABLE FOR USE WITH VERTICAL CONNECTORS.



PART No.	FINISH
M80-0030006	3μ 100% TIN/NICKEL
M80-0030045	0.25μ GOLD/NICKEL

SM	11	13.05.10	10796
NAME	ISS.	DATE	C/NOTE
APPROVED: S. MCCULLAGH			
CHECKED: R. ADDE			
DRAWN: I. SANDY			
CUSTOMER REF.:			
ASSEMBLY DRG:			

## HARWIN

HARWIN USA TEL: 603 893 5376 FAX: 603 893 5396 mis@harwin.com	HARWIN Europe (UK) TEL: 023 9231 4545 FAX: 023 9231 4590 mis@harwin.co.uk	HARWIN Asia TEL: +65 6 779 4909 FAX: +65 6 779 3868 mis@harwin.com.sg
------------------------------------------------------------------------	------------------------------------------------------------------------------------	--------------------------------------------------------------------------------

THIS DRAWING AND ANY INFORMATION OR DESCRIPTIVE MATTER SET OUT HEREON ARE CONFIDENTIAL AND COPYRIGHT PROPERTY OF THE HARWIN GROUP AND MUST NOT BE DISCLOSED, LOANED, COPIED OR USED FOR MANUFACTURING, TENDERING OR FOR ANY OTHER PURPOSE WITHOUT THEIR WRITTEN PERMISSION.

TOLERANCES  
 X. = ±1mm  
 X.X = ±0.25mm  
 X.XX = ±0.10mm  
 X.XXX = ±0.01mm  
 ANGLES = ±5°  
 UNLESS STATED

MATERIAL:  
 BRASS CW508L H150 TO BS EN 1652  
 (CuZn37 HARD)  
 FINISH: SEE TABLE  
 S/AREA: mm<sup>2</sup>

TITLE:  
 DATAMATE  
 PLUG RETAINING STRAP  
 DRAWING NUMBER:  
**M80-00300XX**

SHT  
 2  
 OF 2