

# Customer Information Sheet

DRAWING No.: M83-LMTIM2NXX-0000-000

SHEET 2 OF 2

IF IN DOUBT - ASK

©

NOT TO SCALE

THIRD ANGLE PROJECTION

ALL DIMENSIONS IN mm

**SPECIFICATIONS:**

**MATERIAL:**  
 MOULDING = GLASS-FILLED PPS,  
 UL94V-0, BLACK  
 JACKSCREW = STAINLESS STEEL  
 CONTACT = PHOSPHOR BRONZE

**FINISH:**  
 CONTACT = 0.75µ GOLD

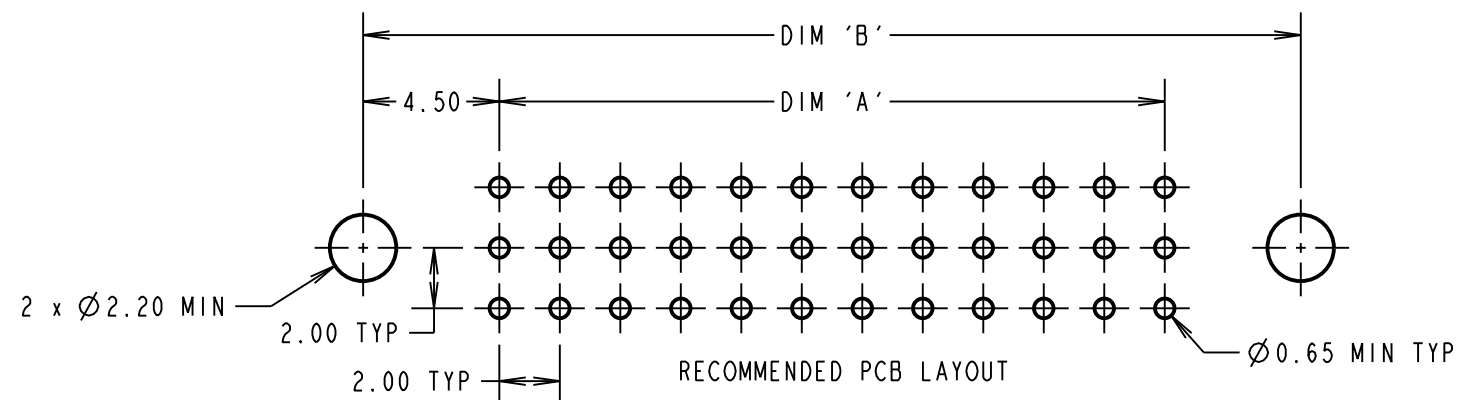
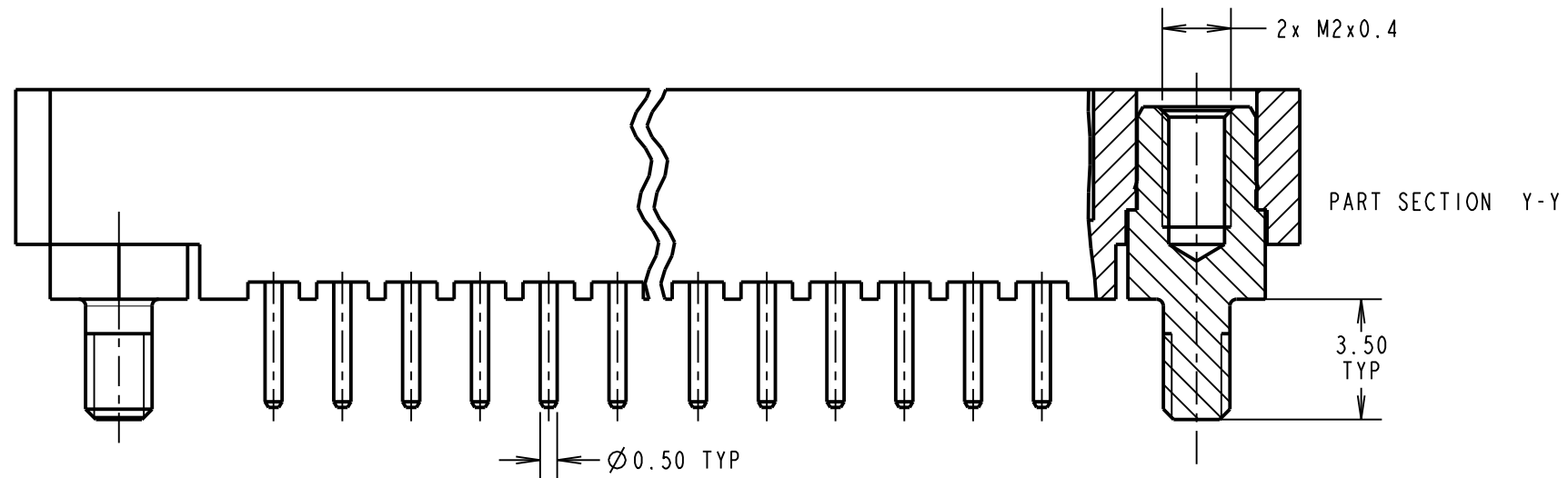
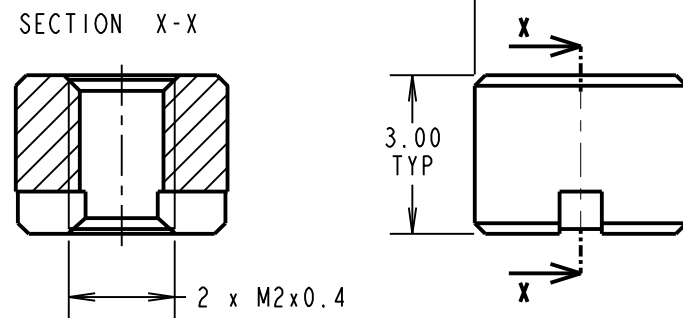
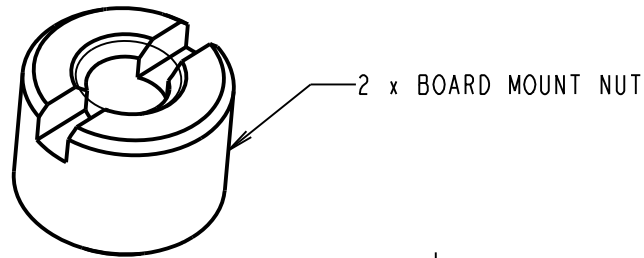
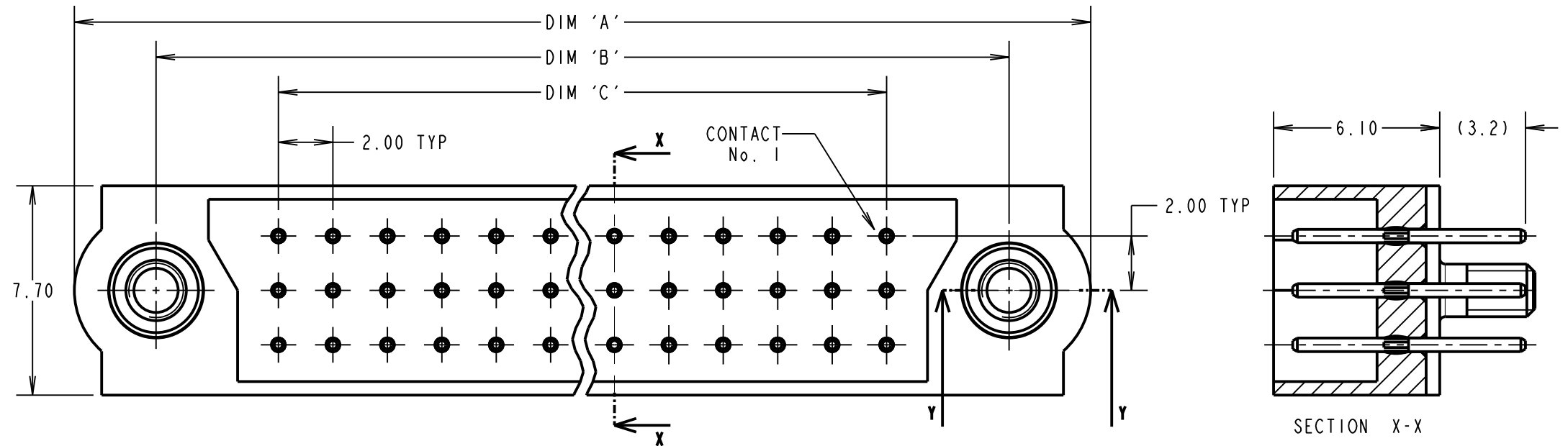
**ELECTRICAL:**  
 CURRENT RATING AT 25°C = 3.0A MAX  
 CURRENT RATING AT 85°C = 2.2A MAX  
 CONTACT RESISTANCE = 25 mΩ MAX  
 WORKING VOLTAGE = 120V AC/DC  
 VOLTAGE PROOF = 360V AC/DC  
 INSULATION RESISTANCE = 100 MΩ MIN

**MECHANICAL:**  
 DURABILITY = 500 OPERATIONS

**ENVIRONMENTAL:**  
 TEMPERATURE RANGE = -55°C TO +125°C

**PACKING:**  
 TRAY.  
 BOARD MOUNT NUTS PACKED SEPERATELY  
 IN BAG

FOR COMPLETE SPECIFICATION, SEE  
 COMPONENT SPECIFICATION C005XX  
 (LATEST ISSUE)



ORDER CODE:  
**M83-LMTIM2NXX-0000-000**

TOTAL No. OF CONTACTS  
 18, 27, 36, 54, 60, 63, 72, 96

| DIMENSION   | CALCULATION                            |
|---|--|
| DIM 'A'   | ((TOTAL No. OF CONTACTS / 3) x 2) + 13 |
| DIM 'B'   | ((TOTAL No. OF CONTACTS / 3) x 2) + 7  |
| DIM 'C'   | ((TOTAL No. OF CONTACTS / 3) x 2) - 2  |
| EXAMPLE: CONNECTOR WITH 27 CONTACTS,<br>M83-LMTIM2N27-0000-000<br>DIM 'A' = 31.00, DIM 'B' = 25.00, DIM 'C' = 16.00 |  |

|                |      |              |        |
|----------------|------|--------------|--------|
| SB             | 2    | 01.02.12     | 11638  |
| NAME           | ISS. | DATE         | C/NOTE |
| APPROVED:      |      | S.BENNETT    |        |
| CHECKED:       |      | S.FLOWER     |        |
| DRAWN:         |      | S. MCCULLAGH |        |
| CUSTOMER REF.: |      |              |        |
| ASSEMBLY DRG:  |      |              |        |

**HARWIN**  
 www.harwin.com  
 technical@harwin.com

THIS DRAWING AND ANY  
 INFORMATION OR DESCRIPTIVE  
 MATTER SET OUT HEREON ARE  
 CONFIDENTIAL AND COPYRIGHT  
 PROPERTY OF THE HARWIN  
 GROUP AND MUST NOT BE  
 DISCLOSED, LOANED, COPIED  
 OR USED FOR MANUFACTURING,  
 TENDERING OR FOR ANY  
 OTHER PURPOSE WITHOUT  
 THEIR WRITTEN PERMISSION.

**TOLERANCES**  
 X. = ±1mm  
 X.X = ±0.25mm  
 X.XX = ±0.10mm  
 X.XXX = ±0.01mm  
 ANGLES = ±5°  
 UNLESS STATED

**MATERIAL:**  
 SEE ABOVE

**FINISH:**  
 SEE ABOVE

**S/AREA:**  
 mm<sup>2</sup>

**TITLE:** JACKSCREW DATAMATE  
 3-ROW MALE VERTICAL PC TAIL  
 ASSEMBLY

**DRAWING NUMBER:**  
**M83-LMTIM2NXX-0000-000**

SHT  
 2 OF 2