

# Customer Information Sheet

DRAWING No.: R30-301XX02

SHEET 2 OF 2

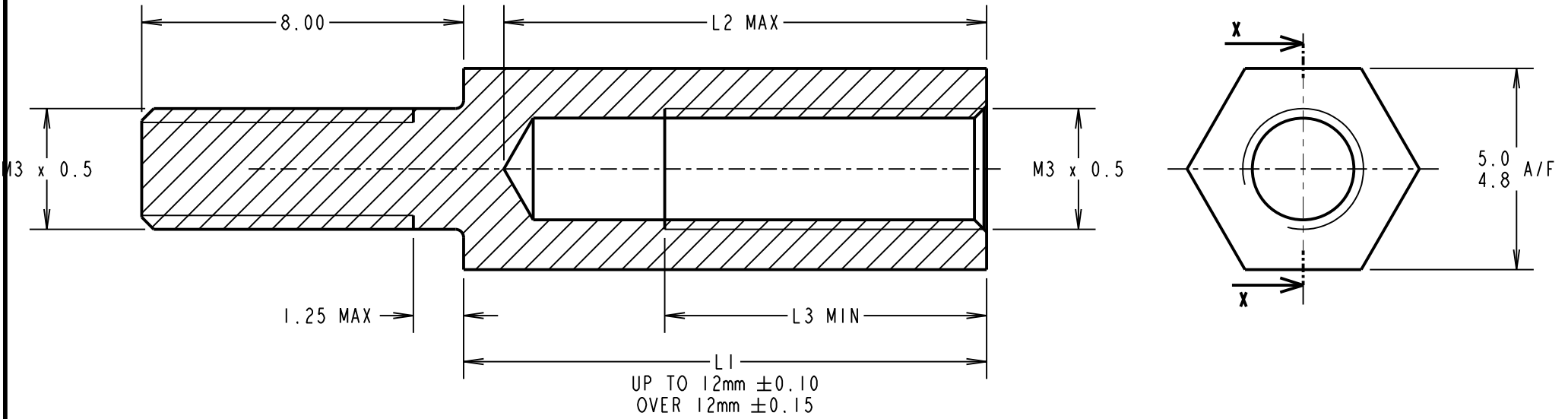
IF IN DOUBT - ASK

©

NOT TO SCALE

THIRD ANGLE PROJECTION

ALL DIMENSIONS IN mm



| PART No.    | L1    | L2   | L3   |
|-------------|-------|------|------|
| R30-3010402 | 4.00  | 4.0  | 2.50 |
| R30-3010502 | 5.00  | 5.0  | 3.00 |
| R30-3010602 | 6.00  | 6.0  | 4.00 |
| R30-3010702 | 7.00  | 7.0  | 5.00 |
| R30-3010802 | 8.00  | 8.0  | 5.00 |
| R30-3010902 | 9.00  | 9.0  | 5.00 |
| R30-3011002 | 10.00 | 10.0 | 5.00 |
| R30-3011102 | 11.00 | 11.0 | 8.00 |
| R30-3011202 | 12.00 | 12.0 | 8.00 |
| R30-3011302 | 13.00 | 12.0 | 8.00 |
| R30-3011402 | 14.00 | 12.0 | 8.00 |
| R30-3011502 | 15.00 | 12.0 | 8.00 |

| PART No.               | L1               | L2              | L3              |
|------------------------|------------------|-----------------|-----------------|
| R30-3011602            | 16.00            | 12.0            | 8.00            |
| R30-3011802            | 18.00            | 12.0            | 8.00            |
| R30-3012002            | 20.00            | 12.0            | 8.00            |
| <del>R30-3012302</del> | <del>23.00</del> | <del>12.0</del> | <del>8.00</del> |
| <del>R30-3012502</del> | <del>25.00</del> | <del>12.0</del> | <del>8.00</del> |
| <del>R30-3012802</del> | <del>28.00</del> | <del>12.0</del> | <del>8.00</del> |
| <del>R30-3013002</del> | <del>30.00</del> | <del>12.0</del> | <del>8.00</del> |
| <del>R30-3013302</del> | <del>33.00</del> | <del>12.0</del> | <del>8.00</del> |
| <del>R30-3013402</del> | <del>34.00</del> | <del>12.0</del> | <del>8.00</del> |
| <del>R30-3013502</del> | <del>35.00</del> | <del>12.0</del> | <del>8.00</del> |
| <del>R30-3014002</del> | <del>40.00</del> | <del>12.0</del> | <del>8.00</del> |
| <del>R30-3015002</del> | <del>50.00</del> | <del>12.0</del> | <del>8.00</del> |

**OBSOLETE**  
**OBSOLETE**  
**OBSOLETE**  
**OBSOLETE**  
**OBSOLETE**  
**OBSOLETE**  
**OBSOLETE**  
**OBSOLETE**  
**OBSOLETE**

ORDER CODE:  
**R30-301XX02**  
 LENGTH L1 IN mm \_\_\_\_\_

|                     |      |          |        |
|---------------------|------|----------|--------|
| MSP                 | 13   | 13.01.17 | 13268  |
| NAME                | ISS. | DATE     | C/NOTE |
| APPROVED: M. PERREN |      |          |        |
| CHECKED: M. PLESTED |      |          |        |
| DRAWN: WJ BOURNE    |      |          |        |
| CUSTOMER REF.:      |      |          |        |
| ASSEMBLY DRG:       |      |          |        |



www.harwin.com  
 technical@harwin.com

THIS DRAWING AND ANY INFORMATION OR DESCRIPTIVE MATTER SET OUT HEREON ARE CONFIDENTIAL AND COPYRIGHT PROPERTY OF THE HARWIN GROUP AND MUST NOT BE DISCLOSED, LOANED, COPIED OR USED FOR MANUFACTURING, TENDERING OR FOR ANY OTHER PURPOSE WITHOUT THEIR WRITTEN PERMISSION.

TOLERANCES  
 X. = ±1mm  
 X.X = ±0.50mm  
 X.XX = ±0.10mm  
 X.XXX = ±0.01mm  
 ANGLES = ±5°  
 UNLESS STATED

MATERIAL:  
 BRASS CW614N M TO BS EN 12164 (CuZn39Pb3)  
 FINISH: NICKEL  
 S/AREA: mm<sup>2</sup>

TITLE:  
 M3 HEXAGONAL MALE/FEMALE SPACER  
 DRAWING NUMBER:  
**R30-301XX02**  
 SHT 2 OF 2