

Customer Information Sheet

DRAWING No.: R30-620XX14

SHEET 2 OF 2

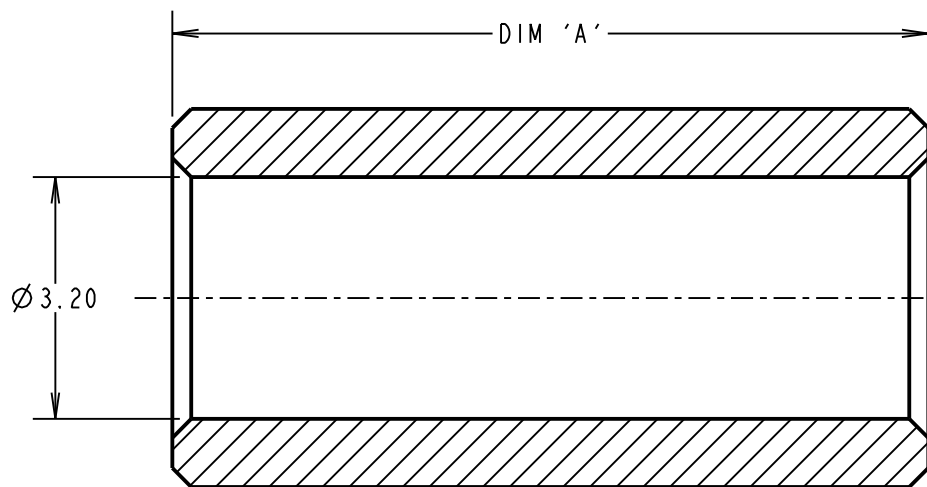
IF IN DOUBT - ASK

©

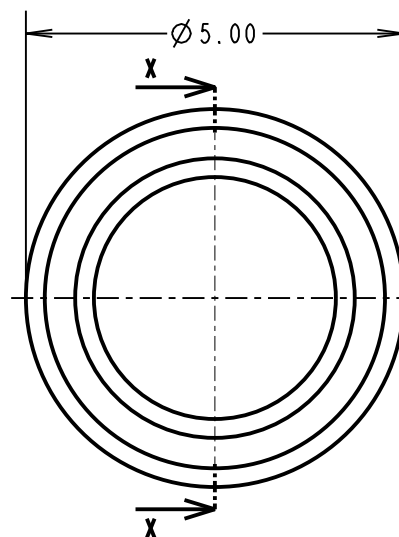
NOT TO SCALE

THIRD ANGLE PROJECTION

ALL DIMENSIONS IN mm



SECTION X-X



ORDER CODE:
R30-620XX14
 LENGTH: _____
 SEE DIM 'A' IN TABLE

PART No.	DIM 'A' ±0.10mm	PART No.	DIM 'A' ±0.15mm
R30-6200314	3.00	R30-6201314	13.00
R30-6200414	4.00	R30-6201414	14.00
R30-6200514	5.00	R30-6201514	15.00
R30-6200614	6.00	R30-6201614	16.00
R30-6200714	7.00	R30-6201814	18.00
R30-6200814	8.00	R30-6202014	20.00
R30-6300914	9.00	R30-6202514	25.00
R30-6201014	10.00	R30-6203014	30.00
R30-6201114	11.00		
R30-6201214	12.00		

MSP	7	23.05.16	13422
NAME	ISS.	DATE	C/NOTE
APPROVED: M. PERREN			
CHECKED: M. PLESTED			
DRAWN: S. BENNETT			
CUSTOMER REF.:			
ASSEMBLY DRG:			

NOTES:
 1. 0.25mm CHAMFER ON OUTER AND INNER DIAMETER.

HARWIN

www.harwin.com
 technical@harwin.com

THIS DRAWING AND ANY INFORMATION OR DESCRIPTIVE MATTER SET OUT HEREON ARE CONFIDENTIAL AND COPYRIGHT PROPERTY OF THE HARWIN GROUP AND MUST NOT BE DISCLOSED, LOANED, COPIED OR USED FOR MANUFACTURING, TENDERING OR FOR ANY OTHER PURPOSE WITHOUT THEIR WRITTEN PERMISSION.

TOLERANCES
 X. = ±1mm
 X.X = ±0.50mm
 X.XX = ±0.10mm
 X.XXX = ±0.01mm
 ANGLES = ±5°
 UNLESS STATED

MATERIAL:
 ALUMINIUM
 1050A H08 TO BS1471
 (ALM1458)
 FINISH: CLEAR PASSIVATE
 S/AREA: mm²

TITLE:
 M3 CIRCULAR
 CLEARANCE SPACER
 DRAWING NUMBER:
R30-620XX14

SHT
 2
 OF
 2