

# MICRO SWITCH

A DIVISION OF MINNEAPOLIS-HONEYWELL REGULATOR COMPANY  
FREDERICK, MARYLAND

FED. MFR. CODE 91929

# ACTUATOR-SWITCH

CATALOG LISTING

## MC 2711

ARMY - NAVY PART NO.  
AN 3168-2

(M) MC2711

REPLACES ISSUE 13

MC2711

M

DRAWING NUMBER

M15

ISSUE

RELEASE NO.

CHECK

REVISIONS

A	COM4866
L S D	12 AUG 60
B	CO 79303
SAD	4 MAR 95

CHECK

CHECK

CHECK

CHECK

CHECK

CHECK

CHECK

CHECK

CHECK

CHECK

CHECK

CHECK

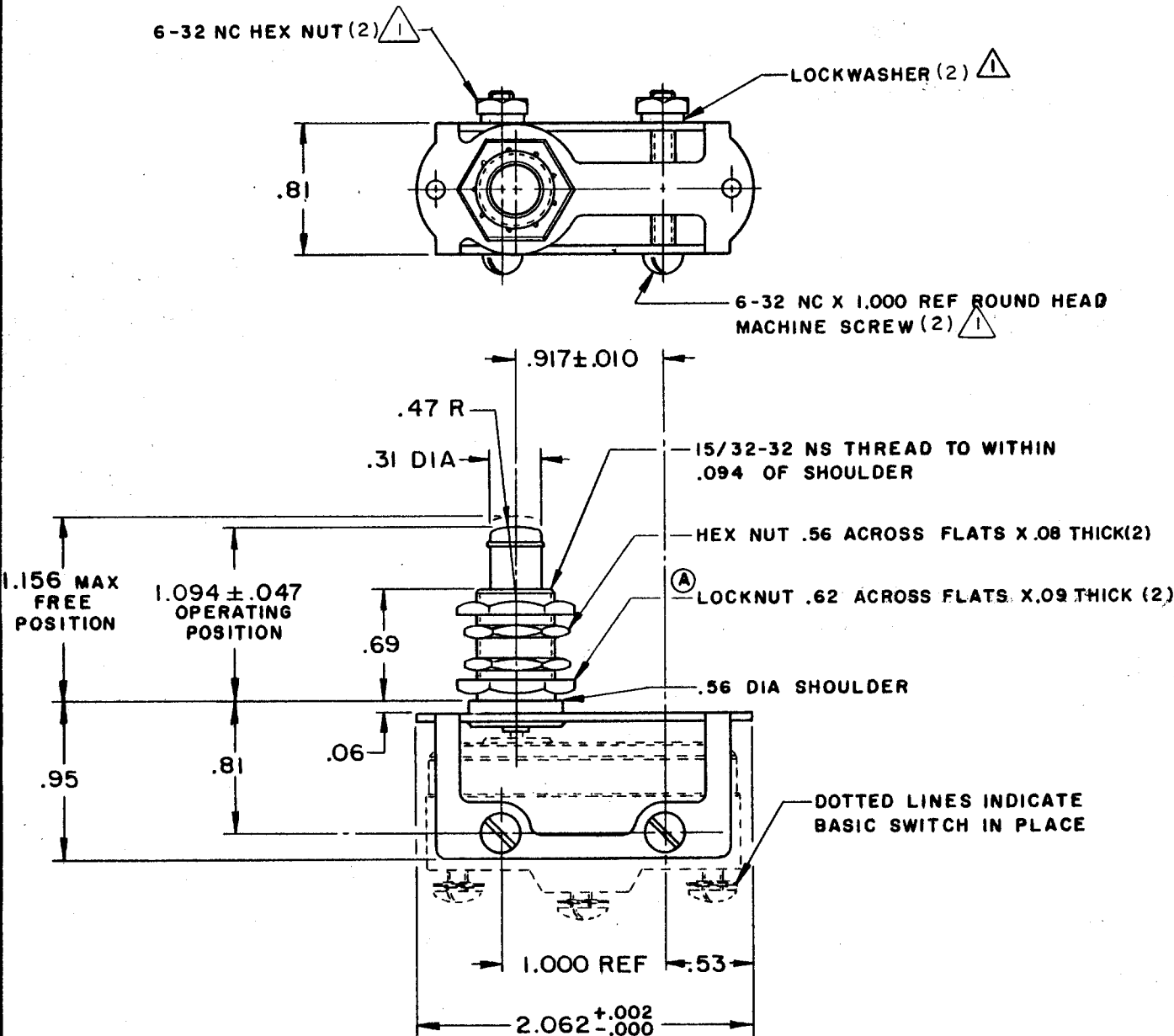
CHECK

CHECK

CHECK

CHECK

CHECK



NOTE -

▲ - FURNISHED UNASSEMBLED

2 - ACTUATOR WILL PERFORM SATISFACTORILY IN TEMPERATURES TO MINUS 65° F

THIS DRAWING COVERS A PROPRIETARY ITEM AND IS THE PROPERTY OF MICRO SWITCH, A DIVISION OF MINNEAPOLIS-HONEYWELL REGULATOR CO. THIS DRAWING IS NOT TO BE COPIED OR USED WITHOUT THE APPROVAL OF MICRO SWITCH.

CHARACTERISTICS WITH 8Z-R31 BASIC SWITCH INSTALLED

OPERATING FORCE	22-34 OZ
FORCE AT FULL TRAVEL	4 LB MAX
RELEASE FORCE	4 OZ MIN
PRETRAVEL	.035 MAX
DIFFERENTIAL TRAVEL	.006 MAX
OVERTRAVEL	.188 MIN

ELECTRICAL DATA

CONTACT ARRANGEMENT	BREAK DISTANCE
---------------------	----------------

SCALE FULL

DO NOT SCALE PRINT

UNLESS OTHERWISE SPECIFIED DIMENSIONS ARE IN INCHES

TOLERANCES ARE:

ONE PLACE (.0)	±.030
TWO PLACE (.00)	±.015
THREE PLACE (.000)	±.008
ANGLES	±

WEIGHT .15 LB