

**ebm-papst St. Georgen GmbH & Co. KG**

Hermann-Papst-Str. 1

D-78112 St. Georgen

Phone +49 (0) 7724 81-0

Fax +49 (0) 7724 81-1309

info2@de.ebmpapst.com

www.ebmpapst.com

Nominal data

Type	3214 JH3	
Nominal voltage	VDC	24
Nominal voltage range	VDC	12 .. 27.6
Speed (rpm)	min ⁻¹	11000
Power consumption	W	30
Min. ambient temperature	°C	-20
Max. ambient temperature	°C	70
Air flow	m ³ /h	237
Sound power level	B	7.8
Sound pressure level	dB(A)	69

ml = Max. load · me = Max. efficiency · fa = Free air · cs = Customer specification · ce = Customer equipment
Subject to change

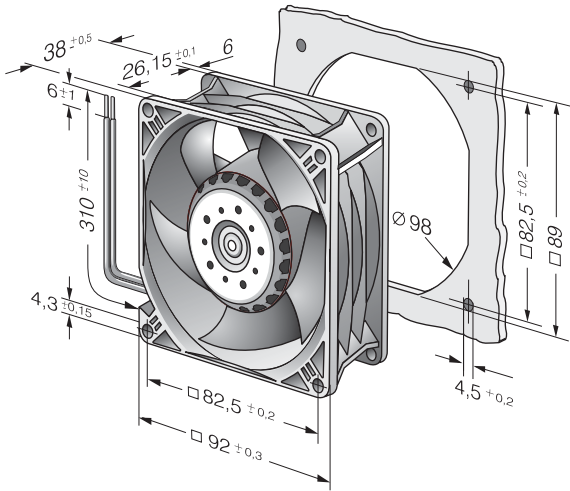


Technical description

Weight	0.280 kg
Dimensions	92 x 92 x 38 mm
Impeller material	Glass-fiber reinforced PA plastic
Housing material	Glass-fiber reinforced PBT plastic
Airflow direction	Exhaust over struts
Direction of rotation	Clockwise, viewed toward rotor
Bearing	Ball bearing
Service life L10 at 40 °C	65000 h
Service life L10 at maximum temperature	32500 h
Cable	Leads AWG 22, TR 64, stripped and tin-plated.
Motor protection	With reverse-polarity and locked-rotor protection.
Option	Speed signal



Product drawing



Curves: Air performance

