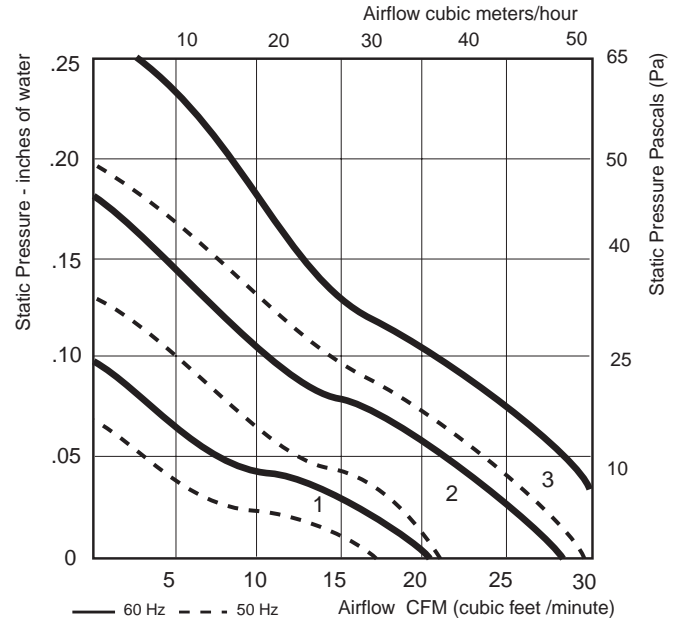
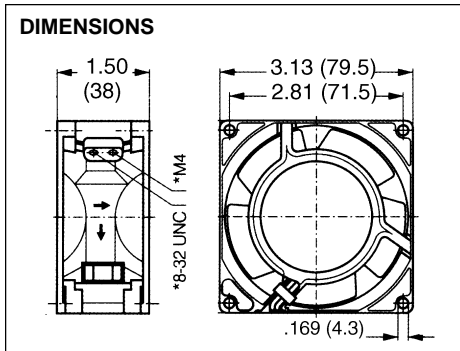


80 x 38mm (3.1" X 1.5") AC FAN

8000V Series

Terminals
Air Exhaust – Over struts
Mounting Bosses



AVAILABLE WITH:

HIGH PERFORMANCE
SINTEC
SLEEVE BEARING SYSTEM

3.13" X 3.13" X 1.50" AC Fan, All Metal, Air Exhaust – Over struts

Curve	PART NUMBER	Type of Bearing	AC Volts	Hertz	Watts	CFM @ 0"	dBA	Temp. Max °C	Wgt. (oz)	Features	Approvals*		
											UL	CSA	VDE
1	8830V	Sleeve	115	50/60	8	21	21	80	17	Terminals	√	√	√
1	8880V	Sleeve	230	50/60	8	21	21	80	17	Terminals	√	√	√
2	8800V	Sleeve	115	50/60	11	28	28	70	17	Terminals	√	√	√
2	8850V	Sleeve	230	50/60	11	28	28	70	17	Terminals	√	√	√
3	8500V	Sleeve	115	50/60	11	36	34	75	17	Terminals	√	√	√
3	8550V	Sleeve	230	50/60	11	36	34	75	17	Terminals	√	√	√
3	8506V	Ball	115	50/60	11	36	35	95	17	Terminals	√	√	√
3	8556V	Ball	230	50/60	11	36	35	95	17	Terminals	√	√	√
3	8560VV	Sleeve	115/230	50/60	11	36	34	70	17	22 AWG 12.2" Leads	√	√	√

* UL yellow card E38324, CSA file 27697, VDE file 6617

CONSTRUCTION MOUNTING & CONNECTION	Mounting:	Either face using four .169" (4.3mm) holes.	Housing:	Metal with metal impeller
	Weight:	17 ounces (490g)	Connection:	Terminals, two flat pins, .110" x .02" (2.8 x .5 mm)

Mouser Electronics

Authorized Distributor

Click to View Pricing, Inventory, Delivery & Lifecycle Information:

[ebm-papst:](#)

[8500V](#) [8830V](#) [8506VW](#) [8550V](#) [8556V](#) [8560VW](#) [8800V](#) [8850TV](#) [8850V](#) [8880V](#) [8556VW](#) [8830VW](#) [8856V](#)
[8886V](#)