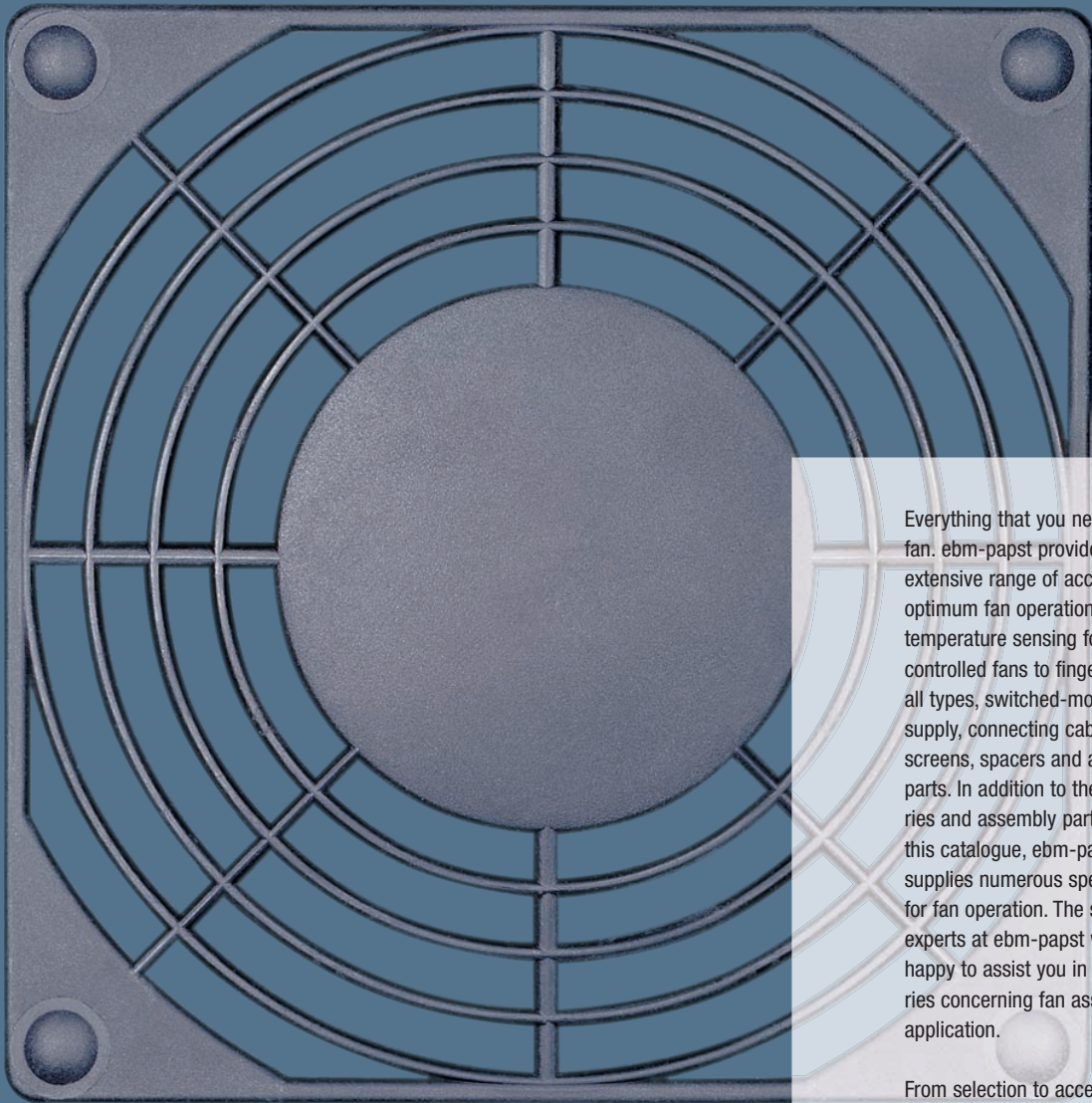


Accessories

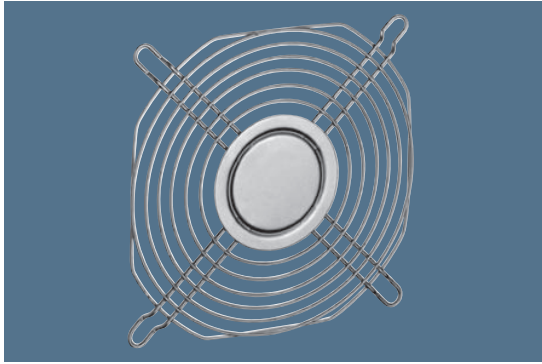
Guard grilles	174
Fan filter guard grilles	180
Inlet nozzles	182
Connection cables / Accessories	183



Everything that you need for your fan. ebm-papst provides an extensive range of accessories for optimum fan operation: From temperature sensing for speed-controlled fans to finger guards of all types, switched-mode power supply, connecting cable, filter, screens, spacers and assembly parts. In addition to the accessories and assembly parts listed in this catalogue, ebm-papst also supplies numerous special parts for fan operation. The sales experts at ebm-papst will be happy to assist you in your enquiries concerning fan assembly and application.

From selection to accessories: Insist on the efficient and reliable service provided by ebm-papst.

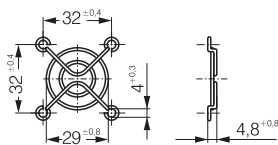
Guard grilles



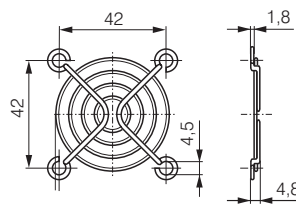
- Guard grille acc. to DIN EN ISO 13857 (previously EN 294), made of galvanised or nickel-plated and passivated steel wire for device fans.
- Additional guard grilles that do not conform to DIN EN ISO 13857 are available on request.
- Our guard grilles are specially designed for use with ebm-papst fans. Their design ensures maximum safety with minimum effect on the operating noise level. Note that when using guard grilles from other manufacturers, compliance with safety-related distances will not always be present.

Fan series	Guard grilles	Fan series	Guard grilles	Fan series	Guard grilles
400	LZ29-1	5600	LZ25	DV 6200	LZ37 Intake side
500	LZ31	5200	LZ35	DV 6200	LZ39 Outlet side
600	LZ28-1	5300	LZ53	DV 6400	LZ38 Intake side
3000	LZ23-1	5900	LZ35	DV 6400	LZ39 Outlet side
8000	LZ32-4 / LZ22-2	7000	LZ36		
9000	LZ30-4 / LZ 30	6300	LZ37		
4000	LZ30-4 / LZ 30	6400	LZ38		
5100	LZ25	2200F	LZ22		

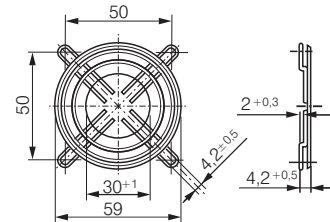
LZ29-1 Fan size 40 x 40



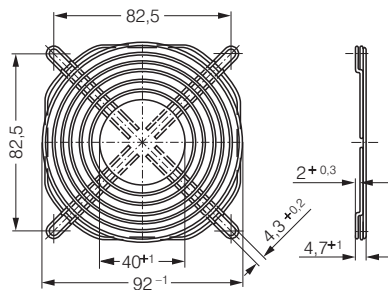
LZ31 Fan size 50 x 50



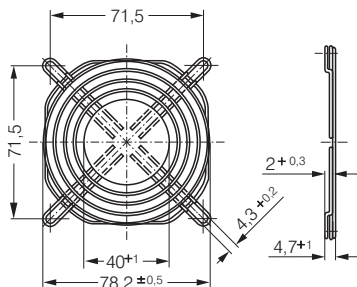
LZ28-1 Fan size 60 x 60



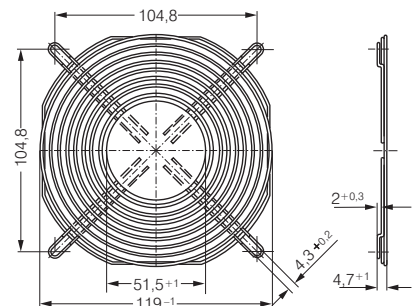
LZ23-1 Fan size 92 x 92



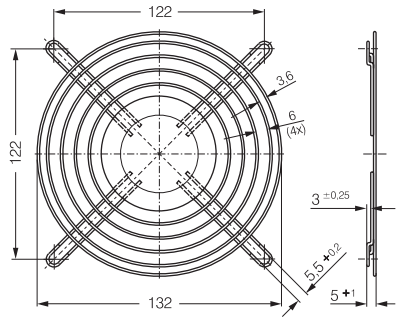
LZ32-4 Fan size 80 x 80



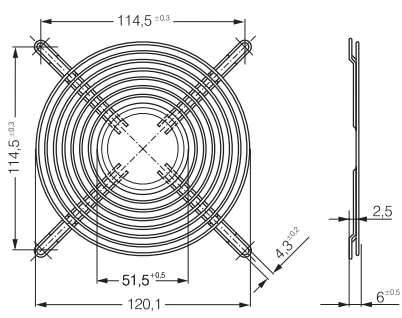
LZ30-4 Fan size 119 x 119



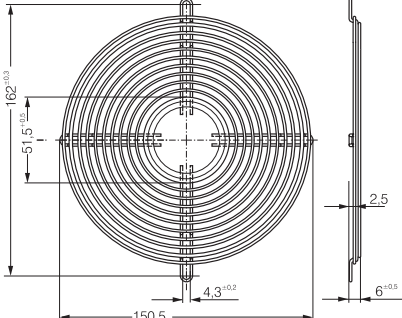
LZ25 Fan size 135 x 135



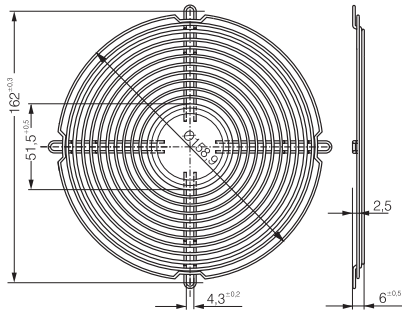
LZ35 Fan size 127 x 127



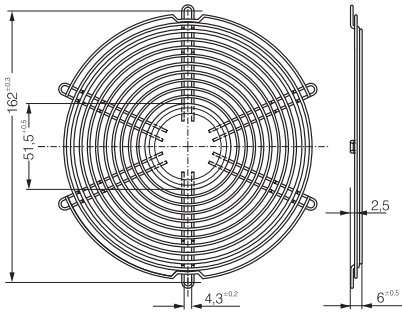
LZ36 Fan size 150 x 172



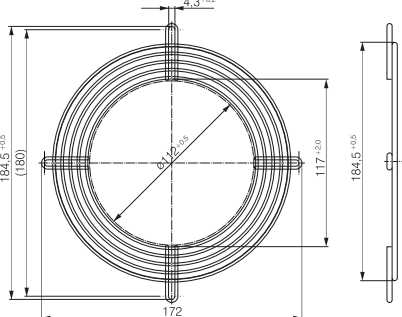
LZ37 Fan size 172 Ø x 51



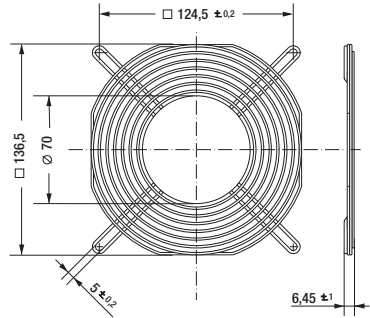
LZ38 Fan size 172 Ø x 51



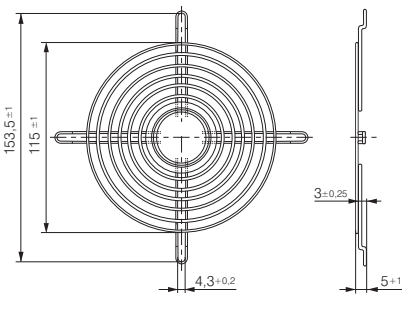
LZ39 Fan size 172 Ø x 51



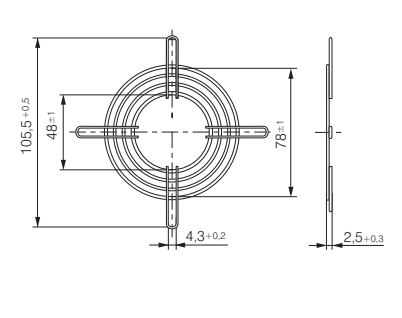
LZ53 Fan size 140 x 140



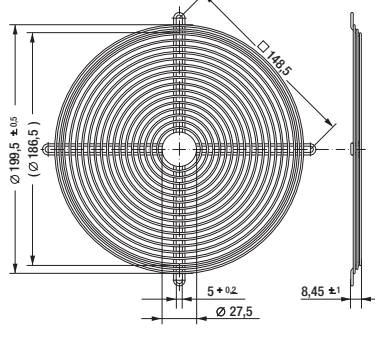
LZ30 Fan size 119 x 119



LZ22-2 Fan size 80 x 80

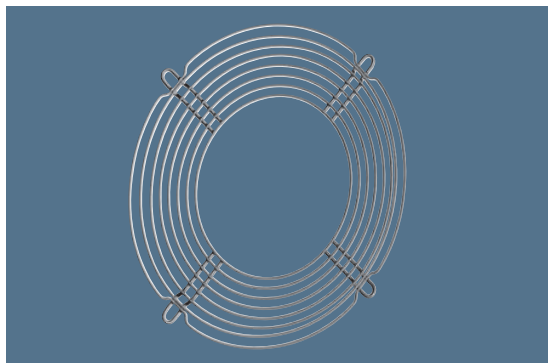


LZ22 Fan size 200 x 51



ACmaxx guard grilles

- Guard grille acc. to DIN EN ISO 13857 (previously EN 294), made of galvanised or nickel-plated and passivated steel wire for device fans.
- The guard grilles shown on this page are designed specially for ACmaxx series fans and are installed on the outlet side.

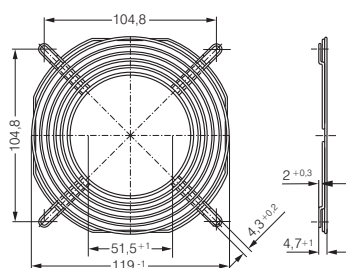


Fan series	Guard grilles
AC 8300	LZ32-4 Intake side s.P.174
AC 8300 H	LZ32-7 Outlet side
AC 3200 J	LZ23-1 Intake side s.P.174
AC 3200 J	LZ23-6 Outlet side
AC 4400 FN	LZ30-4 Intake side s.P.174
AC 4400 FN	LZ30-9 Outlet side
AC 4300	LZ30-4 Intake side s.P.174
AC 4300	LZ30-9 Outlet side
ACi 4400	LZ30 Intake side s.P.175
ACi 4400	LZ30 Outlet side s.P.175

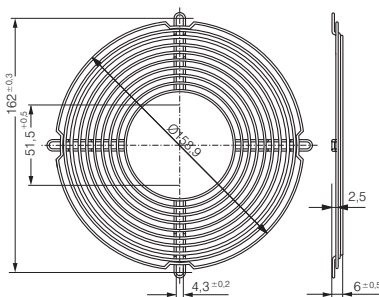
Fan series	Guard grilles
AC 6200 N	LZ37 Intake side s.P.175
AC 6200 N	LZ37-2 Outlet side
AC 6100 N	LZ37 Intake side s.P.175
AC 6100 N	* Outlet side

*Outlet-side grilles on request

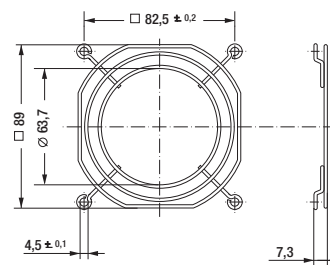
LZ30-9 Fan size 119 X 119



LZ37-2 Fan size 172 Ø X 51



LZ23-6 Fan size 92 x 92



LZ32-7 Fan size 80 x 80

