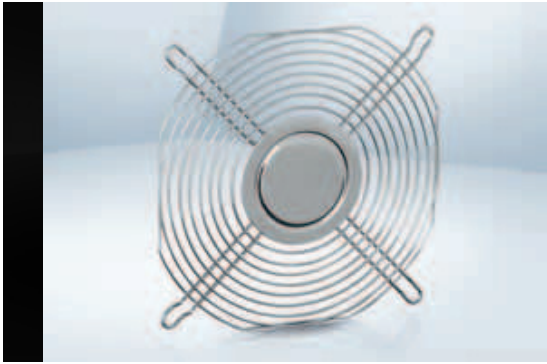


Guard grilles



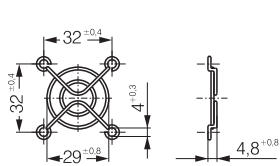
- **Material:** Zinc-plated or nickel-plated steel wire
- **Note:** Safety grille in line with DIN EN ISO 13857 (previously EN 294). Additional safety grilles that do not meet DIN EN ISO 13857 can be delivered on request. Our safety grilles are designed specifically for use with ebm-papst fans. They combine the highest degree of safety with minimum effect on operating noise. Please note that safety-relevant clearances cannot be guaranteed when using safety grilles from other manufacturers.

Fan series	Guard grilles	Fan series	Guard grilles	Fan series	Guard grilles
400	LZ29-1	5100	LZ25	2200 F	LZ22
420 J	LZ29-1	5600	LZ25	DV 4100	LZ30-4 Intake-/Outlet side
500	LZ31	5200	LZ35	DV 5200	LZ35 Intake-/Outlet side
600	LZ28-1	5300	LZ53	DV 6300	LZ37 Intake side
3000	LZ23-1	5900	LZ35	DV 6300	LZ52 Outlet side
8000	LZ32-4 / LZ22-2	7000	LZ36	DV 6400	LZ38 Intake side
9000	LZ30-4 / LZ 30 / LZ 30-3	6300	LZ37	DV 6400	LZ39 Outlet side
4000	LZ30-4 / LZ 30 / LZ 30-3	6400	LZ38		

Subject to alternations

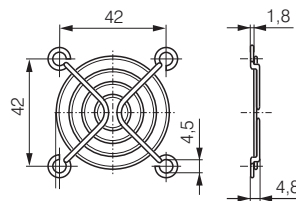
LZ29-1

Fan size 40 x 40



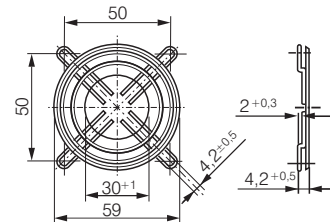
LZ31

Fan size 50 x 50



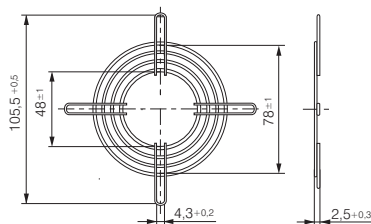
LZ28-1

Fan size 60 x 60



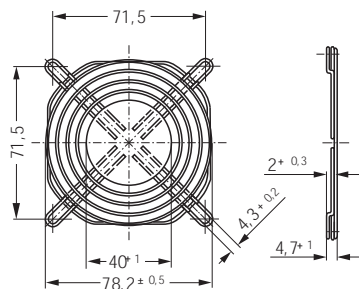
LZ22-2

Fan size 80 x 80



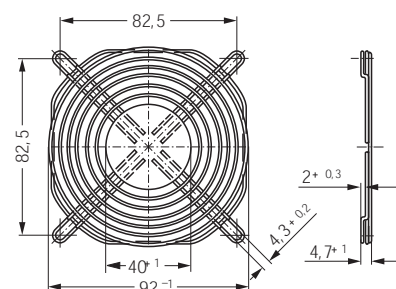
LZ32-4

Fan size 80 x 80

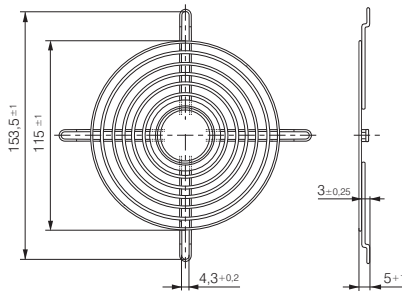


LZ23-1

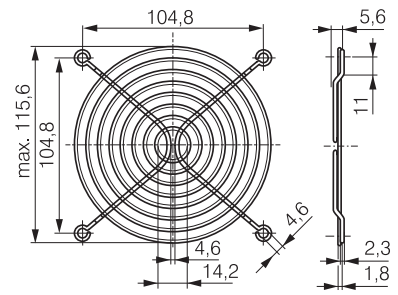
Fan size 92 x 92



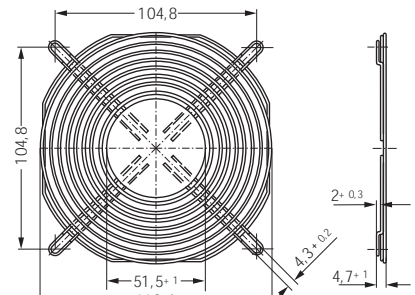
LZ30 Fan size 119 x 119



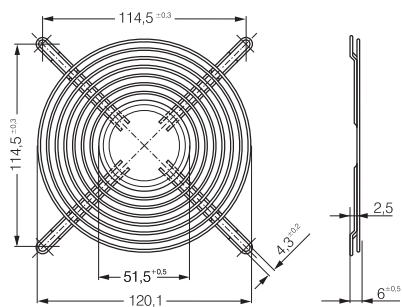
LZ30-3 Fan size 119 x 119



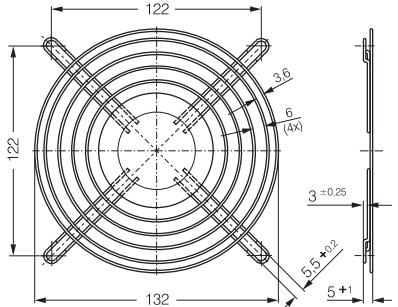
LZ30-4 Fan size 119 x 119



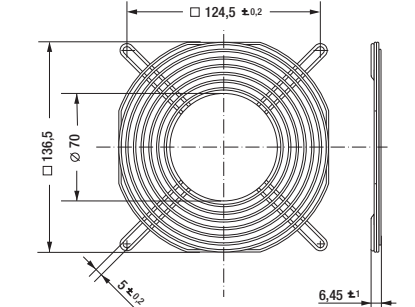
LZ35 Fan size 127 x 127



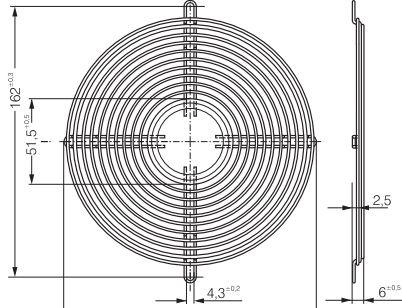
LZ25 Fan size 135 x 135



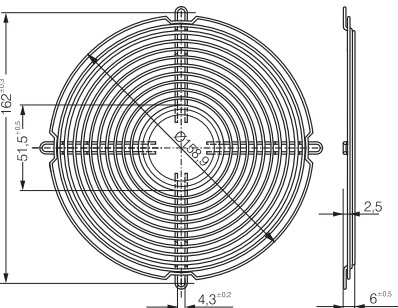
LZ53 Fan size 140 x 140



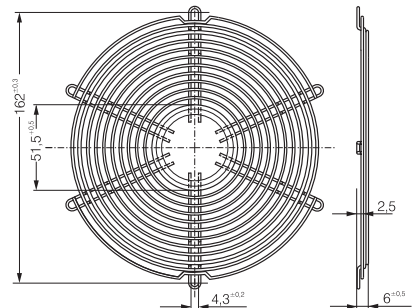
LZ36 Fan size 150 x 172



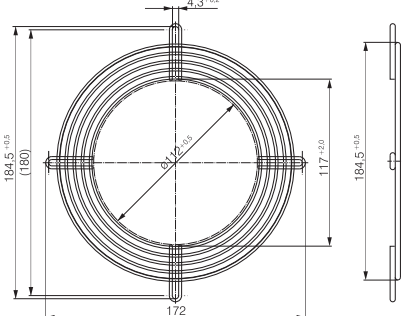
LZ37 Fan size 172 x 51



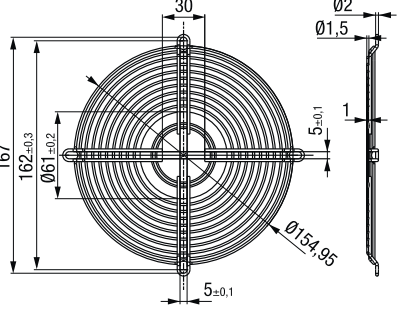
LZ38 Fan size 172 x 51



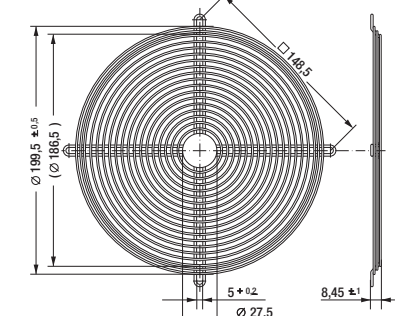
LZ39 Fan size 172 x 51



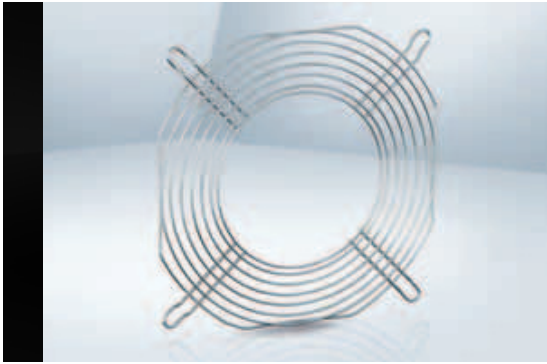
LZ52 Fan size 172 x 51



LZ22 Fan size 200 x 51



Guard grilles



- **Material:** Zinc-plated or nickel-plated steel wire
- **Note:** Safety grille in line with DIN EN ISO 13857 (previously EN 294).
The safety grilles detailed on this page are intended specifically for the ACmaxx / GreenTech EC compact fan ranges and are mounted on the pressure side.

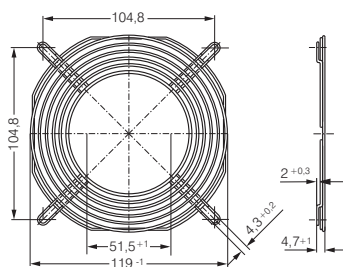
Fan series	Guard grilles	
AC 8300	LZ32-4	Intake side
AC 8300 H	LZ32-7	Outlet side
AC 3200 J	LZ23-1	Intake side
AC 3200 J	LZ23-6	Outlet side
AC 4400 FN	LZ30-4	Intake side
AC 4400 FN	LZ30-9	Outlet side
AC 4300	LZ30-4	Intake side
AC 4300	LZ30-9	Outlet side

Fan series	Guard grilles	
ACi 4400	LZ30	Intake side
ACi 4400	LZ30	Outlet side
AC 6200 N	LZ37	Intake side
AC 6200 N	LZ37-2	Outlet side
AC 6100 N	LZ37	Intake side
AC 6100 N	*	Outlet side

* Outlet-side grilles on request

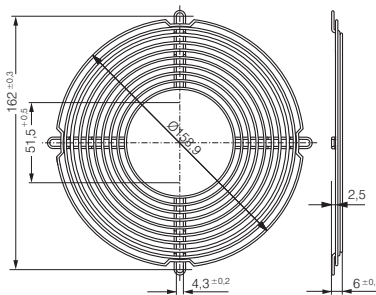
LZ30-9

Fan size 119 X 119



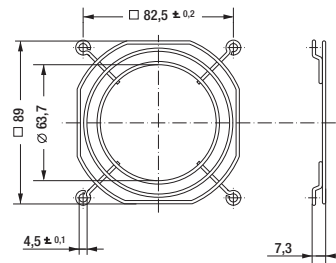
LZ37-2

Fan size Ø 172 X 51



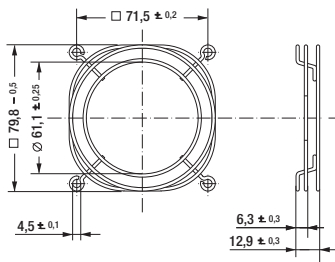
LZ23-6

Fan size 92 x 92

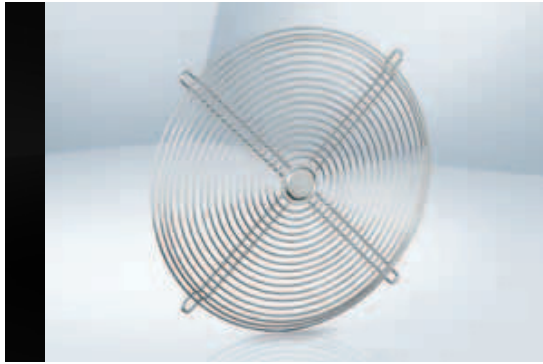


LZ32-7

Fan size 80 x 80



Guard grilles

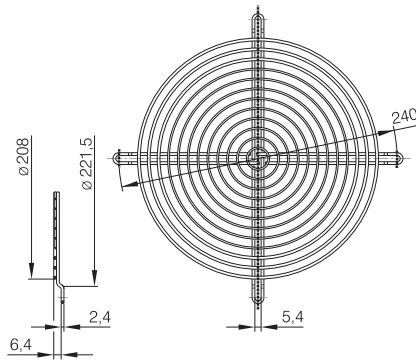


- **Material:** Steel wire, plastic-coated, silver-metallic gloss

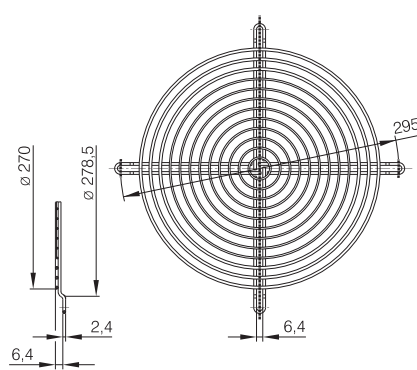
Fan series	Guard grilles
W1G 200	78128-2-4039
W2E 200	78128-2-4039

Fan series	Guard grilles
W1G 250	09418-2-4039
W2E 250	09418-2-4039

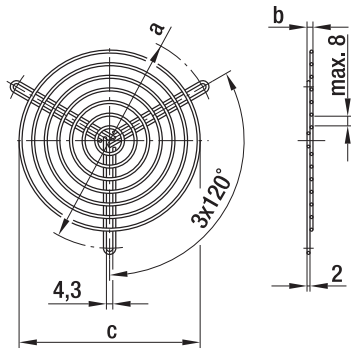
78128-2-4039 Size 200



09418-2-4039 Size 250



Guard grilles

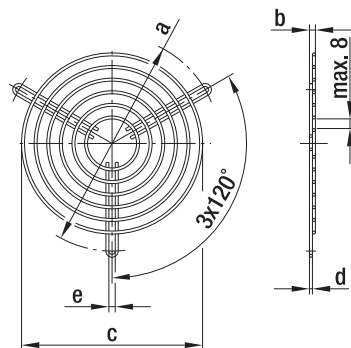


- **Material:** Steel wire

Guard grilles for centrifugal blowers with dual inlet

Part no.	Size	a	b	c	Coating
83319-2-4039	097 ⁽¹⁾	96,0	3,5	71,0	phosphated, plastic-coated in RAL no. 9005
09485-2-4039	097 ⁽²⁾	114,0	3,5	88,0	phosphated, plastic-coated in RAL no. 9005
09500-2-4039	133 / 146	145,0	4,0	122,0	phosphated, plastic-coated in RAL no. 9005

Subject to alternations (1) for D2E097-CH (2) for D2E097-B*



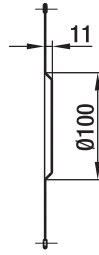
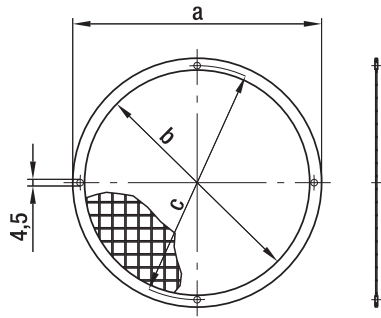
- **Material:** Phosphated steel wire, plastic-coated, silver-metallic gloss

Guard grilles for centrifugal blowers with dual inlet (versions with EW motor)

Part no.	Size	a	b	c	d	e
35000-2-4039	160	182,0	12,0	144,0	2,4	4,5

Subject to alternations

Guard grilles



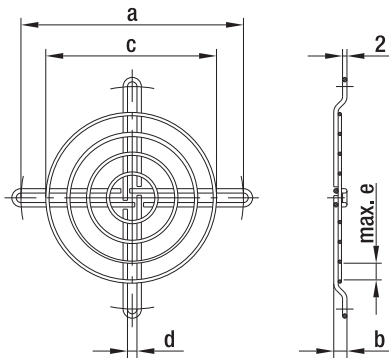
- **Material:** Welded grille made of galvanised steel, frame made of tinned sheet iron 0.4 mm thick

⁽⁴⁾Size 160

Guard grilles for centrifugal blowers with single inlet

Part no.	Size	a	b	c
09489-2-4039	085 ⁽³⁾	90,0	74,0	84,0
09490-2-4039	108	126,0	110,0	118,0
09494-2-4039	120	140,0	124,0	132,0
09492-2-4039	140 / 146	168,0	152,0	158,0
09503-2-4039	160 ⁽⁴⁾	183,0	170,0	175,0

Subject to alternations ⁽³⁾ 3 drilled holes staggered by 120°



- **Material:** steel wire

Guard grilles for centrifugal blowers with single inlet

Part no.	Size	a	b	c	d	e	Coating
09603-2-4039	076 / 085	101,0	6,0	79,0	4,3	8,0	plastic coated, silver-metallic gloss
98214-2-4039	108	120,0	3,5	88,0	4,3	8,0	plastic coated, silver-metallic gloss
25028-2-4039	140 / 146	162,0	8,5	139,0	4,3	8,0	galvanised, chromatised in blue
17729-2-4039	160	175,0	3,5	139,0	4,6	7,0	galvanised, chromatised in blue

Subject to alternations