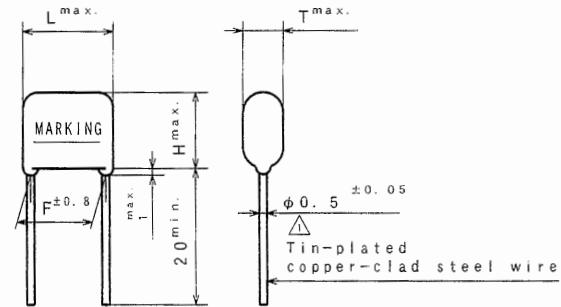
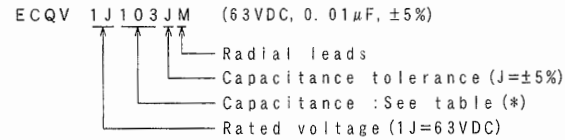


THIRD ANGLE PROJECTION

ITEM CODE	CAPACITANCE		DIMENSIONS			
	μF	(*)	L	T	H	F
ECQV 1J103JM	0.01	(103)	7.5	3.2	6.8	5.0
" 1J123JM	0.012	(123)	"	"	"	"
" 1J153JM	0.015	(153)	"	"	"	"
" 1J183JM	0.018	(183)	"	"	"	"
" 1J223JM	0.022	(223)	"	"	"	"
" 1J273JM	0.027	(273)	"	"	"	"
" 1J333JM	0.033	(333)	"	"	"	"
" 1J393JM	0.039	(393)	"	"	"	"
" 1J473JM	0.047	(473)	"	"	"	"
" 1J563JM	0.056	(563)	"	"	"	"
" 1J683JM	0.068	(683)	"	"	"	"
" 1J823JM	0.082	(823)	"	"	"	"
" 1J104JM	0.1	(104)	"	"	7.0	"
" 1J124JM	0.12	(124)	"	3.8	"	"
" 1J154JM	0.15	(154)	"	4.1	"	"
" 1J184JM	0.18	(184)	10.2	3.5	9.0	7.5
" 1J224JM	0.22	(224)	"	"	"	"
" 1J274JM	0.27	(274)	"	"	"	"
" 1J334JM	0.33	(334)	"	3.8	"	"
" 1J394JM	0.39	(394)	"	4.0	"	"
" 1J474JM	0.47	(474)	"	4.5	"	"
" 1J564JM	0.56	(564)	"	4.9	"	"
" 1J684JM	0.68	(684)	"	5.5	10.0	"
" 1J824JM	0.82	(824)	"	6.1	"	"
" 1J105JM	1.0	(105)	"	6.9	"	"



ITEM CODE NUMBER STRUCTURE



CONSTRUCTION

The capacitor is of non-inductive construction with metallized polyester film and acrylic resin dielectric.

The capacitor is enclosed in epoxy resin and has two leads.

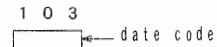
MARKING

Marking comprises capacitance and manufacturer's date code.

PROPERTIES

- Capacitance : See table (*) at 1kHz
- Capacitance tolerance : $\pm 5\%$ (J)
- Rated voltage : 63VDC Δ (Derating of rated voltage by 2.5%/ $^{\circ}C$ at more than 85 $^{\circ}C$)
- Insulation resistance : I. $R \geq 3,000M\Omega$ when $C \leq 0.33\mu F$
C. $R \geq 1,000M\Omega \cdot \mu F$ when $C > 0.33\mu F$ } at 50VDC, 20 $^{\circ}C$
- Withstand voltage (terminal-terminal) : Rated voltage $\times 150\%$ for 60s
- \star Dissipation factor : $\leq 1.0\%$ at 1kHz, 20 $^{\circ}C$
- Category temperature range : Δ From -40 $^{\circ}C$ to +105 $^{\circ}C$ (Including temperature rise on unit surface)

(example)



ALTERATION

ISSUE	DESCRIPTION	DATE
Δ	Modification	Aug. 1, 2002
Δ	Company name changed	Oct. 27, 2004
Δ	Company name changed	Apr. 1, 2005
Δ	Company name changed Additional	Apr. 3, 2006
Δ	Correction: category temperature range (-40 $^{\circ}C$ ~+85 $^{\circ}C$ →-40 $^{\circ}C$ ~+105 $^{\circ}C$) Addition: rated voltage (Derating of rated voltage by 2.5%/ $^{\circ}C$ at more than 85 $^{\circ}C$) Company name changed	Apr. 1, 2008
Δ	Company name changed	Apr. 1, 2012
Δ	Company name changed	Apr. 1, 2013

SPECIFICATIONS No.

Reference

DESIGN	<i>M. M. M. M.</i>
CHECKED	<i>N. Sunaga</i>
APPROVAL	<i>K. Takemoto</i>
ESTABLISHMENT	Jan. 31, 2000
TYPE NAME	
ECQV 1J***JM	
NAME STACKED METALLIZED FILM CAPACITOR	
DRAWING NAME	
PRODUCT DRAWING	
DRAWING No.	
CV-H-B40B (1/1)	

Film Capacitor Division
Capacitor Business Division
Panasonic Corporation