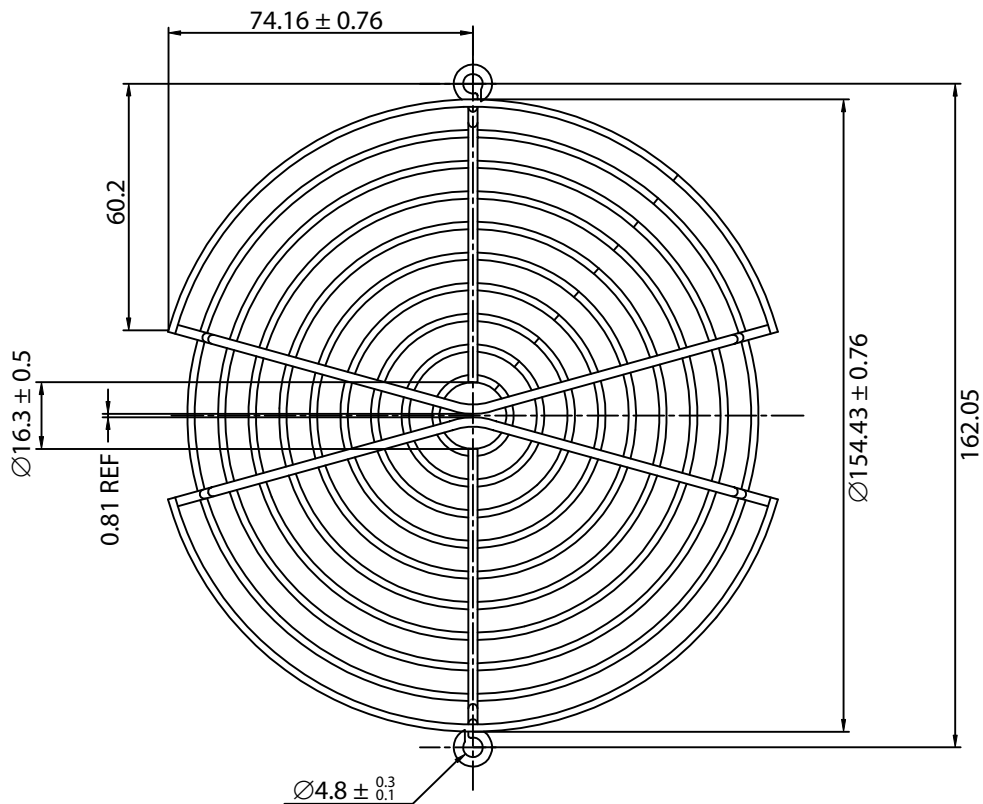


THESE DRAWINGS ARE THE PROPERTY OF QUALTEK ELECTRONICS AND NOT TO BE REPRODUCED FOR OR COMMUNICATED TO A THIRD PARTY WITHOUT THE EXPRESS WRITTEN PERMISSION OF AN OFFICER OF QUALTEK ELECTRONICS.

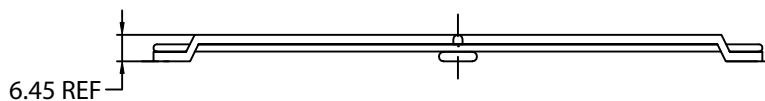
REVISION			
REV.	DESCRIPTION	DATE	APPROVED
A	RoHS Compliancy	06-01-06	DP



NOTES:

1. MATERIAL: C1008 BRIGHT BASIC WIRE
2. FINISH: BRIGHT NICKEL CHROME PLATING
3. 0.35 ± 0.05 DEPTH OF SERRATIONS ON WIRE
4. RING:  $\varnothing 1.8 \pm 0.1\text{mm}$   
RIB:  $\varnothing 2.3 \pm 0.1\text{mm}$
5. GENERAL TOLERANCE UNLESS NOTED IS  $\pm 0.76\text{mm}$
6. RoHS COMPLIANT

**CONTROLLED**



Dim range (mm)		Tolerance +/- (mm)		Qualtek Electronics Corp. FAN-S DIVISION		
0-5	0.1	Part Number: 08125		RoHS Compliant		
5-16	0.15	Description: WIRE FORM FAN GUARD (150mm)				
16-64	0.2	UNIT: mm		REV: A		
64-250	0.4	Drawn / Date		Checked / Date		
250-1000	0.5	B. ZHANG 03-08-05		03-08-05		
1000-1500	1.0			Approved / Date JJH / 03-08-05		