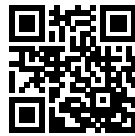


# High Performance dual-stage IEC C14 inlet filter with earth line choke



- Rated currents up to 15 A
- Excellent performance/size ratio
- Earth line choke Version
- IEC C14 inlet acc. IEC 60320-1
- Medical versions (B type) acc. to IEC/EN 60601-1
- Snap-in and rear mount versions (S and M type)



### Performance indicators

Attenuation performance



Rated current [A]



### Approvals



The FN9255 E IEC inlet filter incorporates a dual stage filter with Earth line choke into an IEC inlet that offers excellent filter attenuation in a compact housing. Using an IEC inlet, at the point of entry offers an optimized position and practical solution for integrating an EMC filter into any system. A wide selection of current ratings, output connections and mounting possibilities are available. The E Version of this family complies to medical application and safety requirements, with enhanced performance without added leakage current.

### Features and benefits

Exceptional attenuation performance from 150kHz to 300MHz due to dual-stage design

High saturation resistance and excellent thermal behavior

Medical versions (B type) comply with the requirements of IEC/EN 60601-1 for creepage and clearance, leakage current and high potential testing

Suitable for IEC/EN 55014 tests up to 300MHz

Rear and Front flange or snap-in mounting options

Earth line choke Version, for standard version see FN 9255

All versions according IEC/EN 62368-1

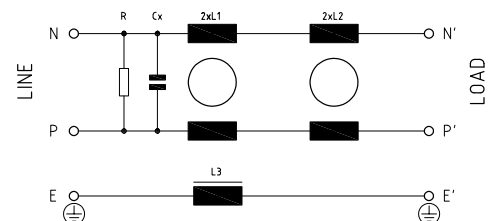
### Technical specifications

<b>Maximum continuous operating voltage</b>	250 VAC, 50/60 Hz
<b>Rated currents</b>	2 to 15 A @ 40°C max.
<b>Operating frequency</b>	DC to 400 Hz
<b>Approvals by rated current</b>	ENEC and CQC: 2 to 10 A UL: 2 to 15A
<b>High potential test voltage</b>	P → PE 2500 VAC for 2 sec P → N 760 VAC for 2 sec
<b>Protection category</b>	IP 40 according to IEC 60529
<b>Temperature range (operation and storage)</b>	-25°C to +85°C (25/85/21)
<b>Design corresponding to</b>	UL 60939-3, IEC/EN 60939-3
<b>Flammability according to</b>	UL 94 V-0
<b>MTBF @ Rated amb. Temp./Voltage (Mil-HB-217F)</b>	> 1,000,000 hours

### Typical applications

- Medical devices (MDD)
- Household and similar products as per IEC/EN55014
- Test and measurement equipment
- In-vitro diagnostic medical devices (IVDD)
- Portable electrical and electronic equipment
- Small to medium-sized machines and household equipment
- Single-phase power supplies, switch-mode power supplies (SMPS)

### Typical electrical schematic



### Filter selection table

Filter	Rated current @ 40°C [A]	Leakage current* @ 250 VAC/50 Hz (@ 120 VAC/60 Hz) [mA]	Inductance			Capacitance Cx [μF]	Resistance R [kΩ]	Output connections		[g]
			L1 [mH]	L2 [μH]	L3 [mH]			Icons	**	
FN 9255 ExB-2-06	2	-	4.8	18	0.4	0.1	1000	-06	-07	66
FN 9255 ExB-4-06	4	-	2.1	18	0.4	0.1	1000	-06	-07	66
FN 9255 ExB-6-06	6	-	0.9	18	0.4	0.1	1000	-06	-07	66
FN 9255 ExB-10-06	10	-	0.2	18	0.4	0.1	1000	-06	-07	68
FN 9255 ExB-15-06	15	-	0.13	8	0.1	0.1	1000	-06	-07	68

Test conditions: 25°C±2°C; Measuring frequency for Inductance: 1 kHz; 50 mV;

Tolerances: Inductance: +50%, -30%; Capacitance: ±25%; Resistor: ±15%; For mechanical tolerances refer to mechanical data section.

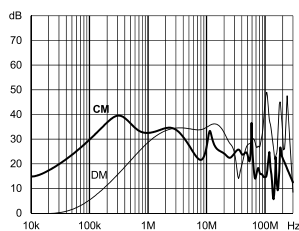
\* Maximum leakage under normal operating conditions (acc. to IEC60939-3). Note: if the neutral line is interrupted, worst case leakage could reach twice this level.

\*\* Standard length is 100 mm

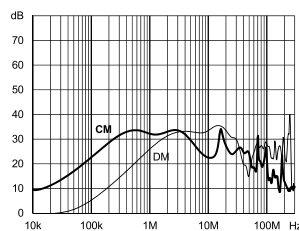
### Typical filter attenuation

Per CISPR 17; symmetrical 50 Ω/50 Ω - Differential Mode (DM); asymmetrical 50 Ω/50 Ω - Common Mode (CM)

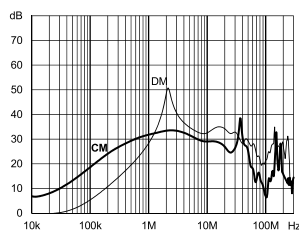
2 A type



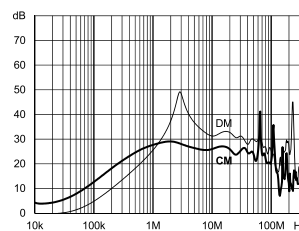
4 A type



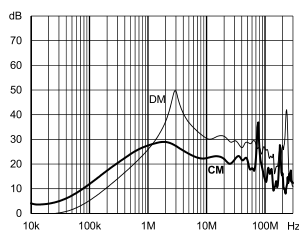
6 A type



10 A type



15 A type



**Product selector**

FN 9255 E x B -yy-...-(zz)

- Blank: Snap-in range for S version only
- Blank: Snap-in range 0.7 to 1.5 mm
- 20: Snap-in range 1.5 to 2.2 mm
- 06: Faston 6.3 x 0.8 mm (spade/soldering)
- 07: Wire leads
- 2 to 15: Rated current
- Blank: Standard housing with mounting flanges (front mount)
- M: Standard housing with mounting flanges (rear mount)
- S: Snap-in version, snapper on vertical side

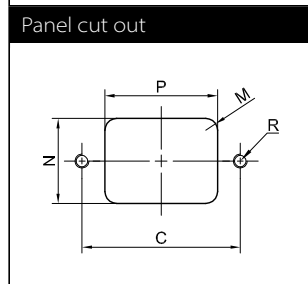
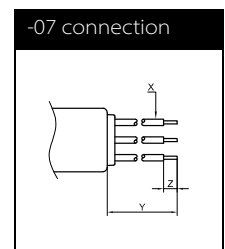
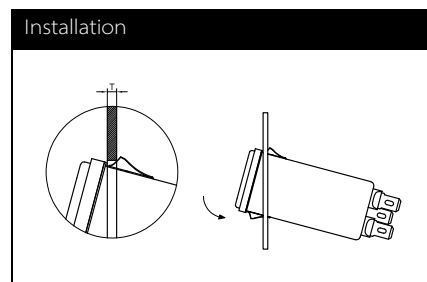
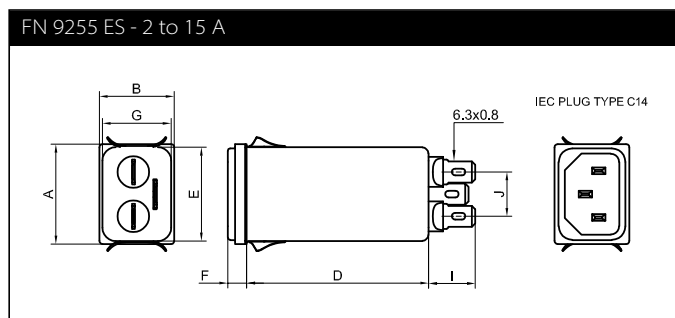
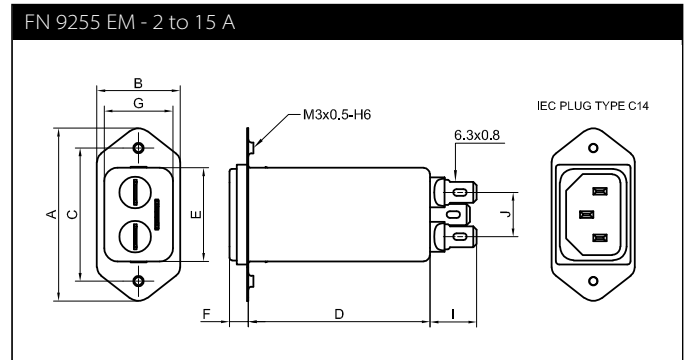
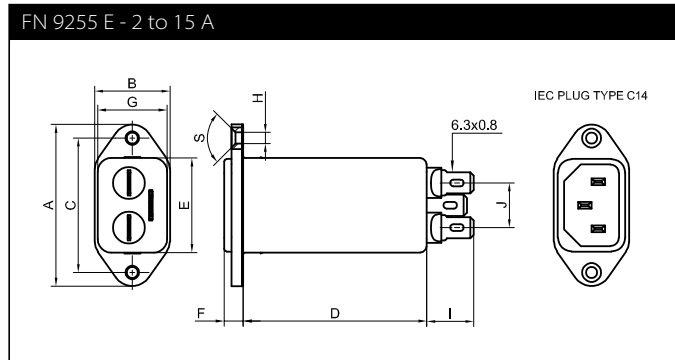
For example:

FN 9255 EB-15-06, 15A Version with fast-on terminals

FN 9255 ESB-10-06, 10A Version with fast-on terminals, snap-in version

FN 9255 EMB-2-07, 2A Version with wire leads, rear mount version

## Mechanical data



## Dimensions

	FN 9255 EB	FN9255 EMB	FN9255 ESB
<b>A</b>	48	51.85	29.9
<b>B</b>	22.4	25	22.4
<b>C</b>	40 ±0.2	40 ±0.2	
<b>D</b>	76.2	76.2	76.2
<b>E</b>	28.1 ±0.3	28.1 ±0.3	28.1 ±0.3
<b>F</b>	5.8 ±0.2	5.8 ±0.2	5.8 ±0.2
<b>G</b>	20.6 ±0.3	20.6 ±0.3	20.6 ±0.3
<b>H</b>	Ø3.3	M3	
<b>I</b>	14	14	14
<b>J</b>	13.3	13.3	13.3
<b>M</b>	R ≤ 3	R ≤ 1	R ≤ 1.5
<b>N</b>	21.5 +0.5/-0	22.9 +0.2/-0	21.5 +0.5/-0
<b>P</b>	28.5 +0.5/-0	30.4 +0.2/-0	29.4
<b>R*</b>	M3	Ø3.4	
<b>S / T</b>	S: 90°		T: 0.7 to 1.5
<b>X / Y</b>	AWG 18 / 100 mm (>6A: AWG 16)	AWG 18 / 100 mm (>6A: AWG 16)	AWG 18 / 100 mm (>6A: AWG 16)
<b>Z</b>	6	6	

\* Recommended torque for M3 (90° countersunk flat head) is 0.5 Nm

All dimensions in mm; 1 inch = 25.4 mm

For values without dedicated tolerances ISO 2768-m/EN 22768-m applies.

Please visit [www.schaffner.com](http://www.schaffner.com) to find more details on connectors.



## Headquarters, global innovation and development

### Switzerland

#### Schaffner Group

Industrie Nord  
Nordstrasse 11e  
4542 Luterbach  
T +41 32 681 66 26  
[info@schaffner.com](mailto:info@schaffner.com)



## Sales and application centers

### China

#### Schaffner EMC Ltd. Shanghai

T20-3 C, No 565 Chuangye Road,  
Pudong district  
201201 Shanghai  
T +86 21 3813 9500  
[cschina@schaffner.com](mailto:cschina@schaffner.com)  
[www.schaffner.com.cn](http://www.schaffner.com.cn)

### Finland

#### Schaffner Oy

Sauvonrinne 19 H  
08500 Lohja  
T +358 10 567 2855  
[finlandsales@schaffner.com](mailto:finlandsales@schaffner.com)

### France

#### Schaffner EMC S.A.S.

16-20 Rue Louis Rameau  
95875 Bezons  
T +33 1 34 34 30 60  
F +33 1 39 47 02 28  
[francesales@schaffner.com](mailto:francesales@schaffner.com)

### Germany

#### Schaffner Deutschland GmbH

Schoemperlenstrasse 12B  
76185 Karlsruhe  
T +49 721 56910  
F +49 721 569110  
[germanysales@schaffner.com](mailto:germanysales@schaffner.com)

### India

#### Schaffner India Pvt. Ltd

REGUS WORLD TRADE CENTRE  
WTC, 22nd Floor Unit No 2238, Brigade  
Gateway Campus, 26/1, Dr. Rajkumar Road  
Malleshwaram (W)  
560055 Bangalore  
T +91 80 67935355  
[indiasales@schaffner.com](mailto:indiasales@schaffner.com)

### Italy

#### Schaffner EMC S.r.l.

Via Ticino, 30  
20900 Monza (MB)  
T +39 039 21 41 070  
[italysales@schaffner.com](mailto:italysales@schaffner.com)

### Japan

#### Schaffner EMC K.K.

Taiju-Seimei Sangenjaya Bldg.  
1-32-12, Kamiuma, Setagaya-ku  
154-0011 Tokyo  
T +81 3 5712 3650  
F +81 3 5712 3651  
[japansales@schaffner.com](mailto:japansales@schaffner.com)  
[www.schaffner.jp](http://www.schaffner.jp)

### Singapore

#### Schaffner EMC Pte Ltd.

#05-09, Kg Ubi Ind. Estate  
408705 Singapore  
T +65 6377 3283  
F +65 6377 3281  
[singaporesales@schaffner.com](mailto:singaporesales@schaffner.com)

### Spain

#### Schaffner EMC España

Calle Caléndula 93, Miniparc III, Edificio E  
El Soto de Moraleja, Alcobendas  
28109 Madrid  
T +34 917 912 900  
F +34 917 912 901  
[spainsales@schaffner.com](mailto:spainsales@schaffner.com)

### Sweden

#### Schaffner EMC AB

Östermalmstorg 1  
114 42 Stockholm  
T +46 8 5050 2425  
[swedensales@schaffner.com](mailto:swedensales@schaffner.com)  
[www.schaffner.com](http://www.schaffner.com)

### Switzerland

#### Schaffner EMV AG

Industrie Nord  
Nordstrasse 11e  
4542 Luterbach  
T +41 32 681 66 26  
[switzerlandsales@schaffner.com](mailto:switzerlandsales@schaffner.com)

### Taiwan R.O.C.

#### Schaffner EMV Ltd.

20 Floor-2, No 97, Section 1, XinTai 5th Road  
22175 XiZhi District New Taipei City 22175  
T +886 2 2697 5500  
F +886 2 2697 5533  
[taiwansales@schaffner.com](mailto:taiwansales@schaffner.com)  
[www.schaffner.com.tw](http://www.schaffner.com.tw)

### Thailand

#### Schaffner EMC Co. Ltd.

Northern Region Industrial Estate  
67 Moo 4 Tambon Ban Klang  
Amphur Muangng P.O. Box 14  
51000 Lamphun  
T +66 53 58 11 04  
F +66 53 58 10 19  
[thailandsales@schaffner.com](mailto:thailandsales@schaffner.com)

### United Kingdom

#### Schaffner Ltd.

5 Ashville Way, Molly Millars Lane  
Wokingham  
RG41 2PL Berkshire  
T +44 118 9770070  
F +44 118 9792969  
[uksales@schaffner.com](mailto:uksales@schaffner.com)

### USA

#### Schaffner EMC Inc.

52 Mayfield Avenue  
Edison, New Jersey  
T +1 732 225 9533  
F +1 732 225 4789  
[usasales@schaffner.com](mailto:usasales@schaffner.com)  
[www.schaffnerusa.com](http://www.schaffnerusa.com)

#### Schaffner North America

6722 Thirlane Road  
24019 Roanoke, Virginia  
T +1 276 228 7943  
F +1 276 228 7953

#### Schaffner North America

823 Fairview Road  
24382 Wytheville, Virginia  
T +1 276 228 7943  
F +1 276 228 7258

To find your local partner within Schaffner's global network: [www.schaffner.com](http://www.schaffner.com)

© 2018 Schaffner Group

The content of this document has been carefully checked and understood. However, neither Schaffner nor its subsidiaries assume any liability whatsoever for any errors or inaccuracies of this document and the consequences thereof. Published specifications are subject to change without notice. Product suitability for any area of application must ultimately be determined by the customer. In all cases, products must never be operated outside their published specifications. Schaffner does not guarantee the availability of all published products. This disclaimer shall be governed by substantive Swiss law and resulting disputes shall be settled by the courts at the place of business of Schaffner Holding AG. Latest publications and a complete disclaimer can be downloaded from the Schaffner website. All trademarks recognized.