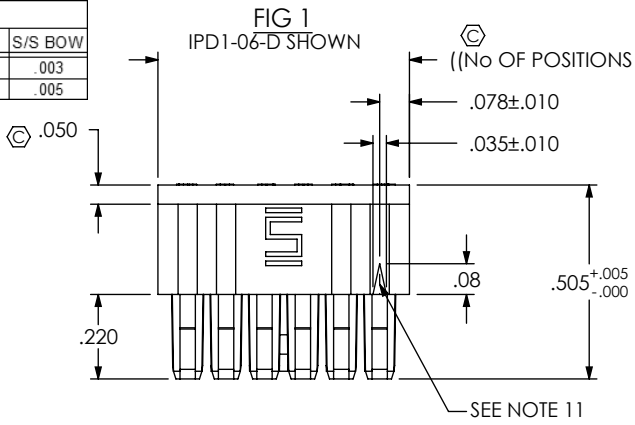


REVISION X

TABLE 1		
No OF POS	T/B BOW	S/S BOW
-02 THRU -15	.003	.003
-16 THRU -25	.005	.005

DO NOT SCALE FROM THIS PRINT



IPD1-XX-D-XX-X

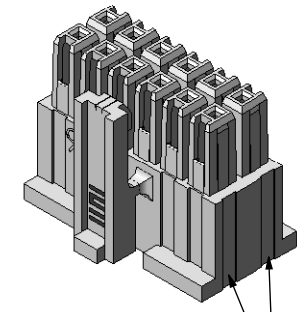
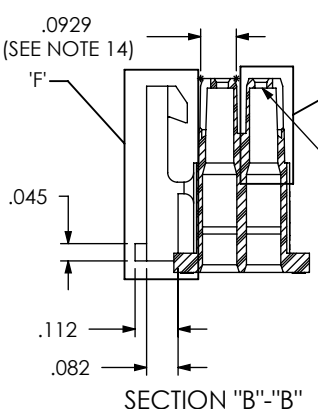
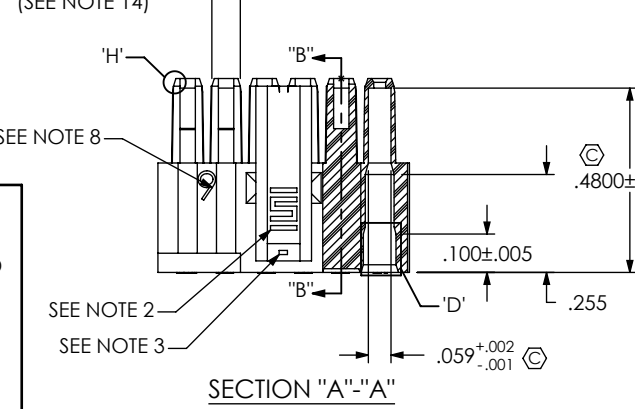
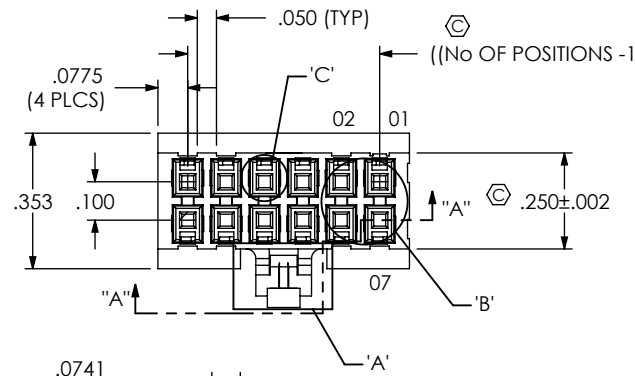
No OF POSITIONS: -02 THRU -25 (PER ROW) (SEE FIG 2 FOR -02 POSITION)

ROW SPECIFICATION: -D: DOUBLE

OPTION: -R: RETENTION LATCH (SEE NOTE 16) (SEE SHEET 3, FIG 6)
 **H: HORIZONTAL (-H-R IF USED WITH -R OPTION) (SEE SHEET 5, FIGS 11 & 12)

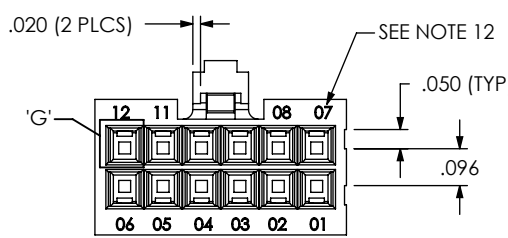
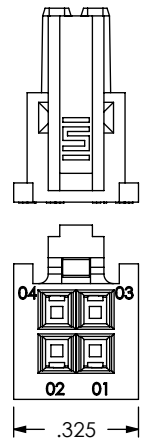
POLARIZATION OPTION: -P: POLARIZED (NOT AVAILABLE WITH -K OR -G OPTIONS) (LEAVE BLANK FOR NO POLARIZATION) (SEE FIG 3)
 -K: KEYED POLARIZATION (NOT AVAILABLE WITH -P OR -G OPTIONS) (SEE SHEET 2, FIGS 4 & 5)
 -GP: GUIDE POSTS (NOT AVAILABLE WITH -P OR -K OPTIONS) (SEE SHEET 4, FIG 8)

NOTES:
 ** NOT RELEASED FOR PRODUCTION



GATE PADS (SEE NOTE 9)

FIG 2: -02 POSITION SAME AS FIG 1, UNLESS OTHERWISE STATED



UNLESS OTHERWISE SPECIFIED, DIMENSIONS ARE IN INCHES. TOLERANCES ARE:
 DECIMALS ANGLES
 .XX: ±.01 [.3] 2°
 .XXX: ±.003 [.08]
 .XXXX: ±.0015 [.038]

PROPRIETARY NOTE: THIS DOCUMENT CONTAINS INFORMATION CONFIDENTIAL AND PROPRIETARY TO SAMTEC, INC. AND SHALL NOT BE REPRODUCED OR TRANSFERRED TO OTHER DOCUMENTS OR DISCLOSED TO OTHERS OR USED FOR ANY PURPOSE OTHER THAN THAT WHICH IT WAS OBTAINED WITHOUT THE EXPRESSED WRITTEN CONSENT OF SAMTEC, INC.

MATERIAL: DO NOT SCALE DRAWING SHEET SCALE: 2:1
 ZYTEL 103FHS, COLOR: WHITE

MAX REGRIND: 25%
 MAX FLASH ALLOWED: .005
 MAX GATE VESTIGE: .004

c:\enterprise\valf\DWG\MISC\MKTG\IPD1-XX-D-XX-X-MKT.SLDDRW

samtec

520 PARK EAST BLVD, NEW ALBANY, IN 47150
 PHONE: 812-944-6733 FAX: 812-948-5047
 e-Mail: info@SAMTEC.com code 55322

DESCRIPTION: .100 SHROUDED CONTACT BODY

DWG. NO. IPD1-XX-D-XX-X

BY: CHAD F 03/05/2002 SHEET 1 OF 5

REVISION X

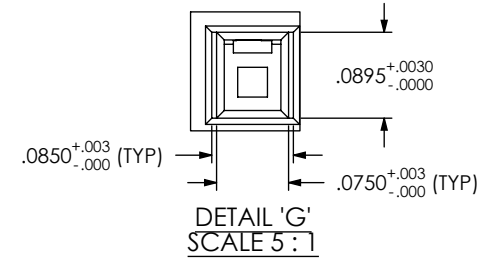
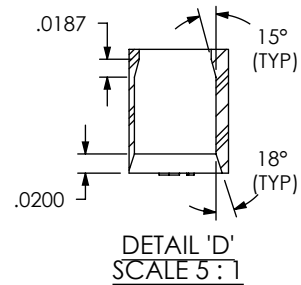
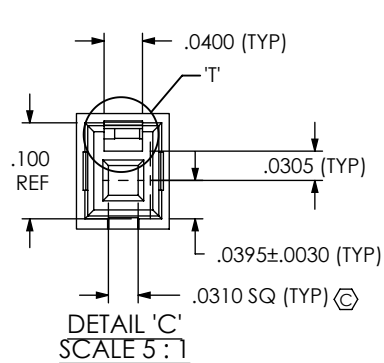
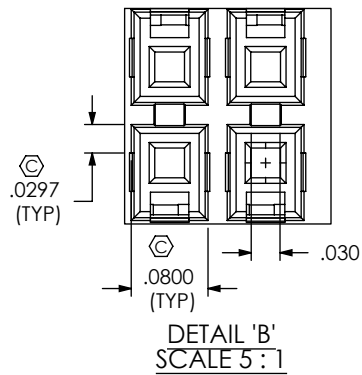
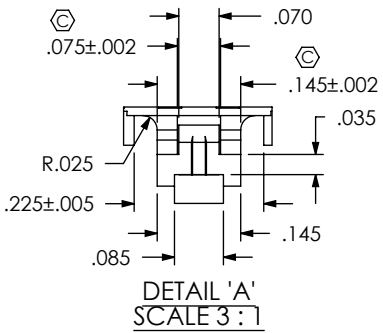


FIG 3
IPD1-06-D-P SHOWN
SAME AS FIG 1, EXCEPT AS SHOWN

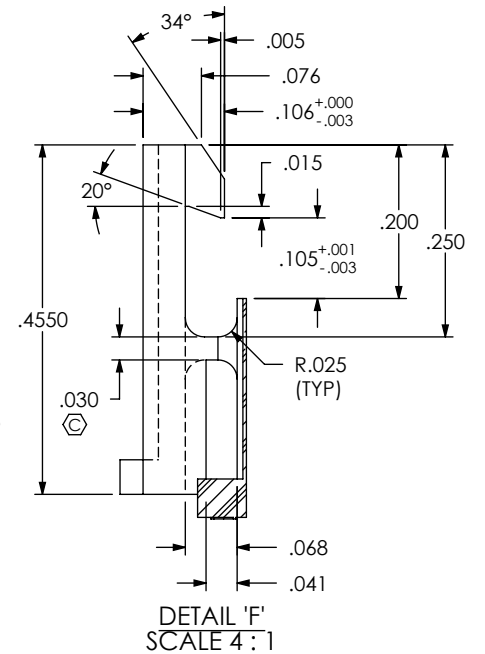
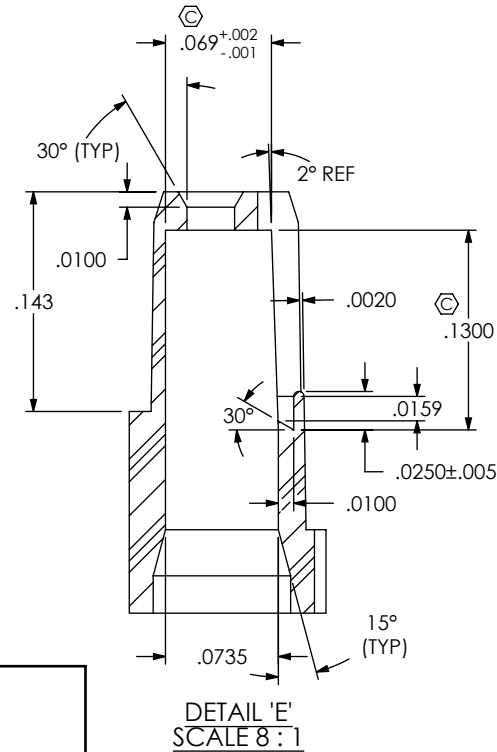
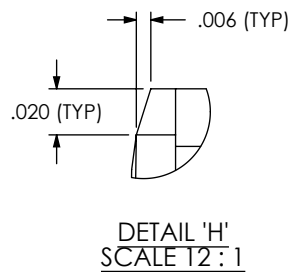
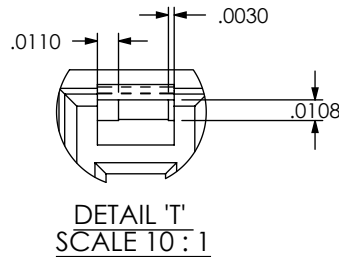
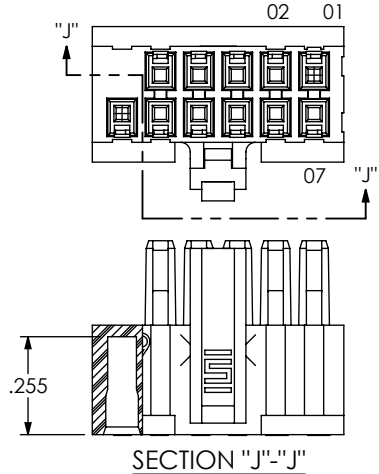


FIG 4
-K: KEYED POLARIZATION
IPD1-06-D-K SHOWN
SAME AS FIG 1, UNLESS OTHERWISE STATED

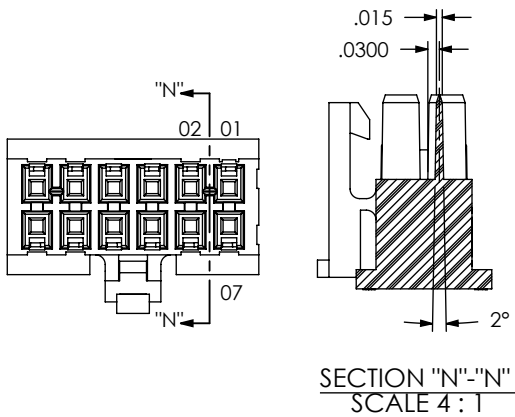
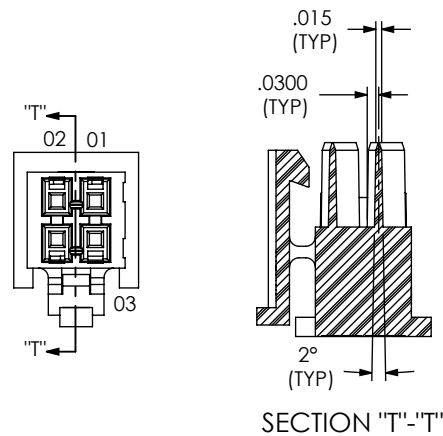


FIG 5
-K: KEYED POLARIZATION (2 POS)
IPD1-02-D-K SHOWN
SAME AS FIG 4, UNLESS OTHERWISE STATED



PROPRIETARY NOTE
THIS DOCUMENT CONTAINS INFORMATION
CONFIDENTIAL AND PROPRIETARY TO
SAMTEC, INC. AND SHALL NOT BE REPRODUCED
OR TRANSFERRED TO OTHER DOCUMENTS OR
DISCLOSED TO OTHERS OR USED FOR ANY
PURPOSE OTHER THAN THAT WHICH IT WAS
OBTAINED WITHOUT THE EXPRESSED WRITTEN
CONSENT OF SAMTEC, INC.

DO NOT SCALE DRAWING
SHEET SCALE: 2:1

samtec

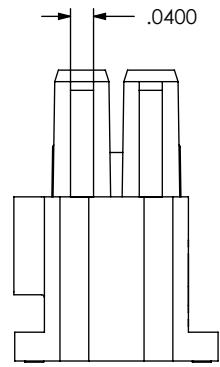
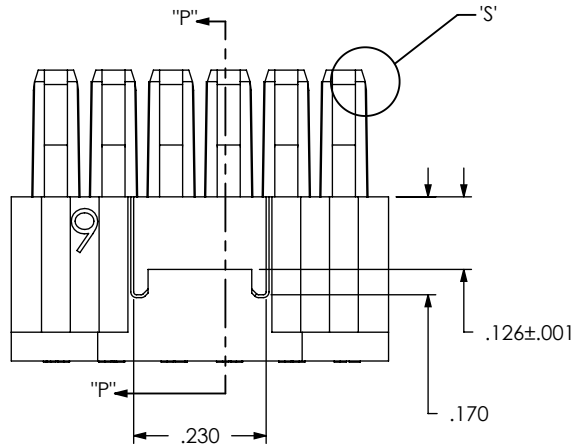
520 PARK EAST BLVD, NEW ALBANY, IN 47150
PHONE: 812-944-6733 FAX: 812-948-5047
e-Mail: info@SAMTEC.com code 55322

DESCRIPTION: .100 SHROUDED CONTACT BODY

DWG. NO. IPD1-XX-D-XX-X

BY: CHAD F 03/05/2002 SHEET 2 OF 5

FIG 6
IPD1-06-D-R SHOWN
SAME AS FIG 1, UNLESS OTHERWISE STATED
(SEE NOTE 16)



DETAIL 'S'
SCALE 8 : 1

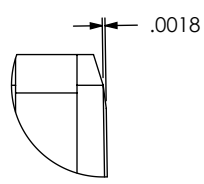
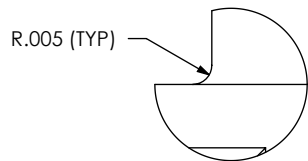
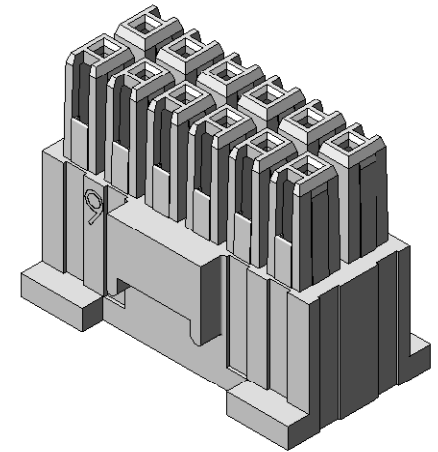
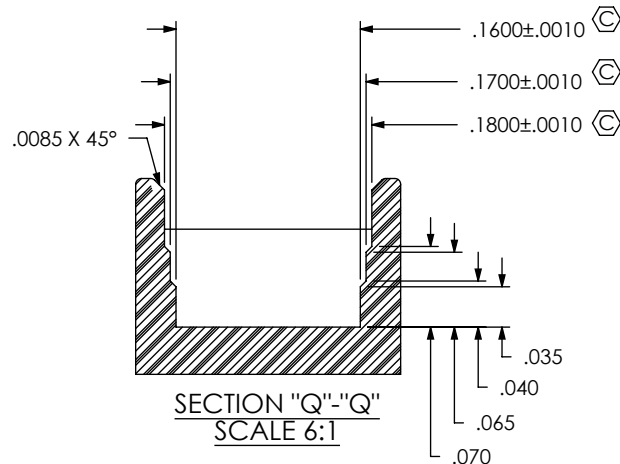
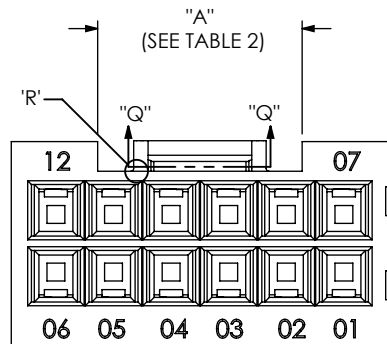
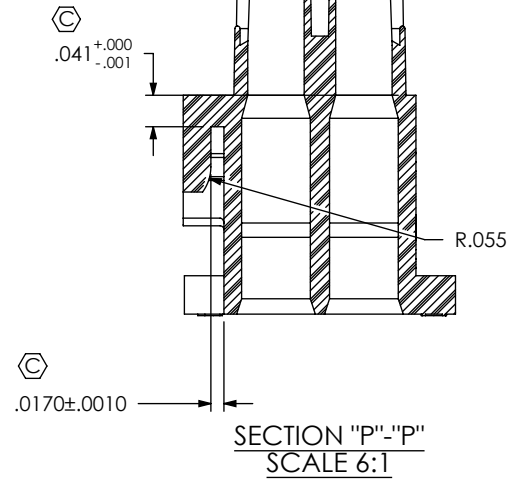
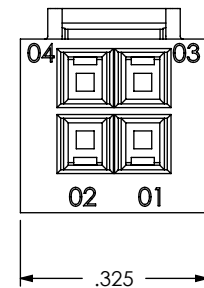
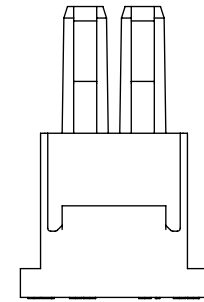


TABLE 2	
No OF POS	"A"
-02	.325
-04 THRU -25	.355

FIG. 7
(IPD1-02-D-R SHOWN)
(SAME AS FIG. 5, UNLESS OTHERWISE STATED)
(SEE NOTE 16)



DETAIL 'R'
SCALE 20 : 1

PROPRIETARY NOTE
THIS DOCUMENT CONTAINS INFORMATION
CONFIDENTIAL AND PROPRIETARY TO
SAMTEC, INC. AND SHALL NOT BE REPRODUCED
OR TRANSFERRED TO OTHER DOCUMENTS OR
DISCLOSED TO OTHERS OR USED FOR ANY
PURPOSE OTHER THAN THAT WHICH IT WAS
OBTAINED WITHOUT THE EXPRESSED WRITTEN
CONSENT OF SAMTEC, INC.

DO NOT SCALE DRAWING

SHEET SCALE: 3:1

samtec

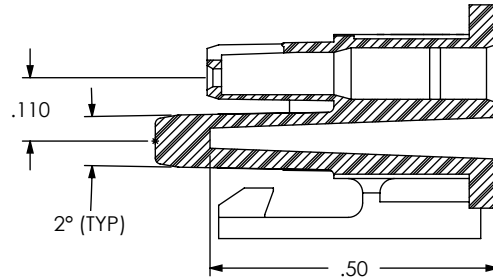
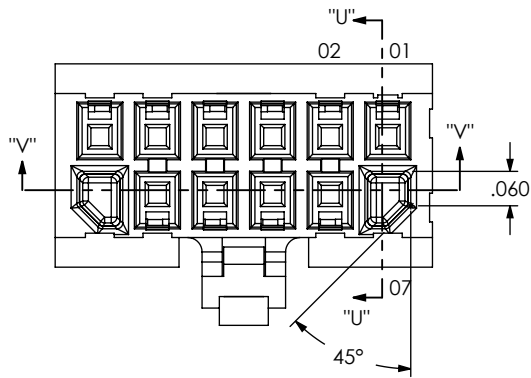
520 PARK EAST BLVD. NEW ALBANY, IN 47150
PHONE: 812-944-6733 FAX: 812-948-5047
e-Mail: info@SAMTEC.com code 55322

DESCRIPTION:
.100 SHROUDED CONTACT BODY

DWG. NO.
IPD1-XX-D-XX-X

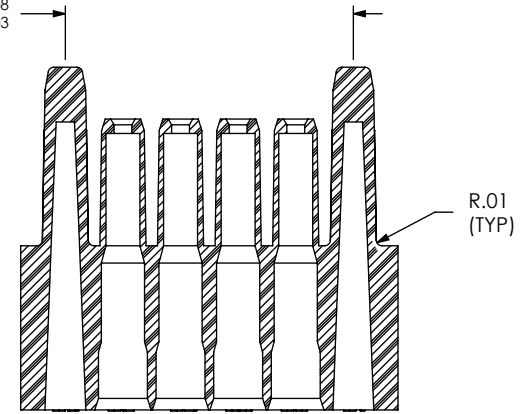
BY: CHAD F 03/05/2002 SHEET 3 OF 5

FIG 8
 IPD1-06-D-GP SHOWN
 SAME AS FIG 1, UNLESS OTHERWISE STATED

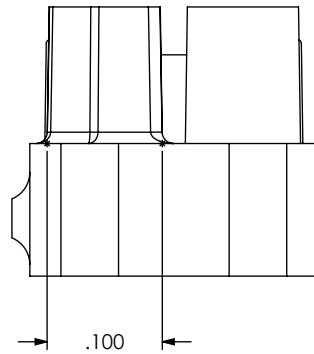
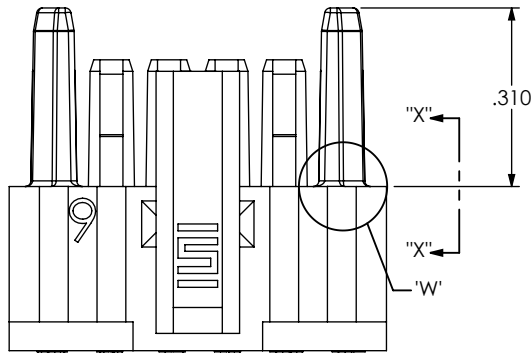


SECTION "U"-"U"

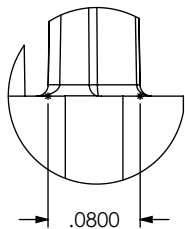
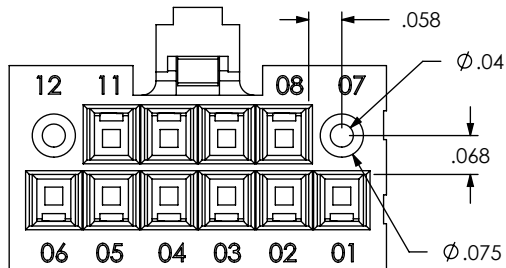
$$((\text{No OF POSITIONS} - 1) \times .100) \begin{matrix} +.008 \\ -.003 \end{matrix}$$



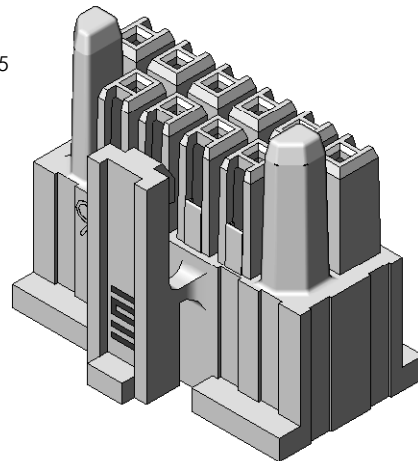
SECTION "V"-"V"
 SCALE 3:1



SECTION "X"-"X"
 SCALE 6:1



DETAIL 'W'
 SCALE 6:1



c:\enterprise\vault\DWG\MISC\MKTG\IPD1-XX-D-XX-X-MKT.SLDDRW

FIG 9
 IPD1-06-D-GP-R SHOWN
 REFER TO FIG 6 FOR -R AND FIG 8 FOR -GP

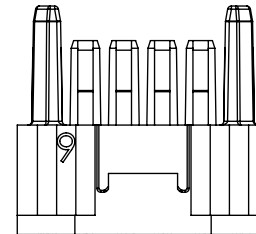
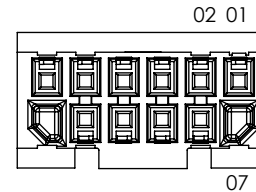
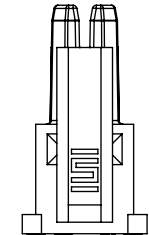
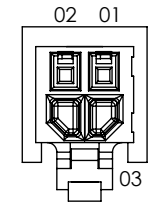


FIG 10
 IPD1-02-D-GP SHOWN
 SAME AS FIG 2, UNLESS OTHERWISE STATED
 REFER TO FIG 8 FOR -GP



PROPRIETARY NOTE

THIS DOCUMENT CONTAINS INFORMATION CONFIDENTIAL AND PROPRIETARY TO SAMTEC, INC. AND SHALL NOT BE REPRODUCED OR TRANSFERRED TO OTHER DOCUMENTS OR DISCLOSED TO OTHERS OR USED FOR ANY PURPOSE OTHER THAN THAT WHICH IT WAS OBTAINED WITHOUT THE EXPRESSED WRITTEN CONSENT OF SAMTEC, INC.

DO NOT SCALE DRAWING

SHEET SCALE: 3:1



520 PARK EAST BLVD, NEW ALBANY, IN 47150
 PHONE: 812-944-6733 FAX: 812-948-5047
 e-Mail: info@SAMTEC.com code 55322

DESCRIPTION: .100 SHROUDED CONTACT BODY

DWG. NO. IPD1-XX-D-XX-X

BY: CHAD F 03/05/2002 SHEET 4 OF 5

FIG 11
IPD1-05-D-H SHOWN
SAME AS FIG 1, EXCEPT AS SHOWN

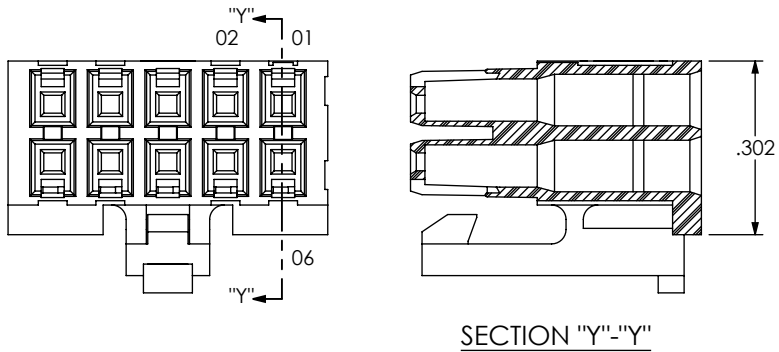
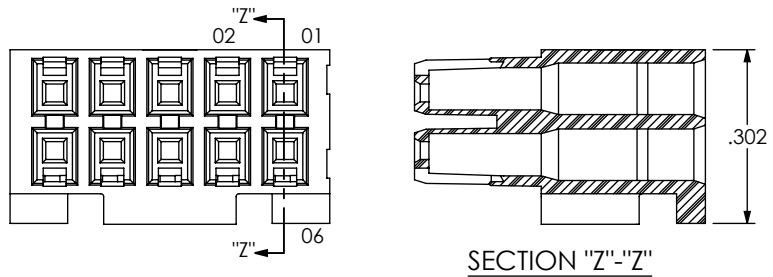


FIG 12
IPDT-05-D-H-R
SAME AS FIG 6, EXCEPT AS SHOWN



PROPRIETARY NOTE
THIS DOCUMENT CONTAINS INFORMATION
CONFIDENTIAL AND PROPRIETARY TO
SAMTEC, INC. AND SHALL NOT BE REPRODUCED
OR TRANSFERRED TO OTHER DOCUMENTS OR
DISCLOSED TO OTHERS OR USED FOR ANY
PURPOSE OTHER THAN THAT WHICH IT WAS
OBTAINED WITHOUT THE EXPRESSED WRITTEN
CONSENT OF SAMTEC, INC.

DO NOT SCALE DRAWING

SHEET SCALE: 3:1

samtec

520 PARK EAST BLVD, NEW ALBANY, IN 47150
PHONE: 812-944-6733 FAX: 812-948-5047
e-Mail info@SAMTEC.com code 55322

DESCRIPTION:
.100 SHROUDED CONTACT BODY

DWG. NO.
IPD1-XX-D-XX-X

BY: CHAD F 03/05/2002 SHEET 5 OF 5