

4

3

2

REV G SH 1 DWG NO. *15-2020-106-*

THIS DOCUMENT CONTAINS PROPRIETARY INFORMATION AND EXCEPT WITH WRITTEN PERMISSION OF TRI-STAR ELECTRONICS INT'L, INC., SUCH INFORMATION SHALL NOT BE PUBLISHED, OR DISCLOSED TO OTHERS, OR USED FOR ANY PURPOSE, AND THE DOCUMENT SHALL NOT BE DUPLICATED IN WHOLE OR IN PART.

REVISIONS

ZONE	LTR	DESCRIPTION	DATE	APPD
/	D	REVISED PER E.O. 18370	7-18-07	LBO
/	E	REVISED PER E.O. 19692	6-29-09	LBO
/	F	REVISED PER E.O. 19839	9-3-09	LBO
/	G	REVISED PER E.O. 21264	10/31/11	C. Peade

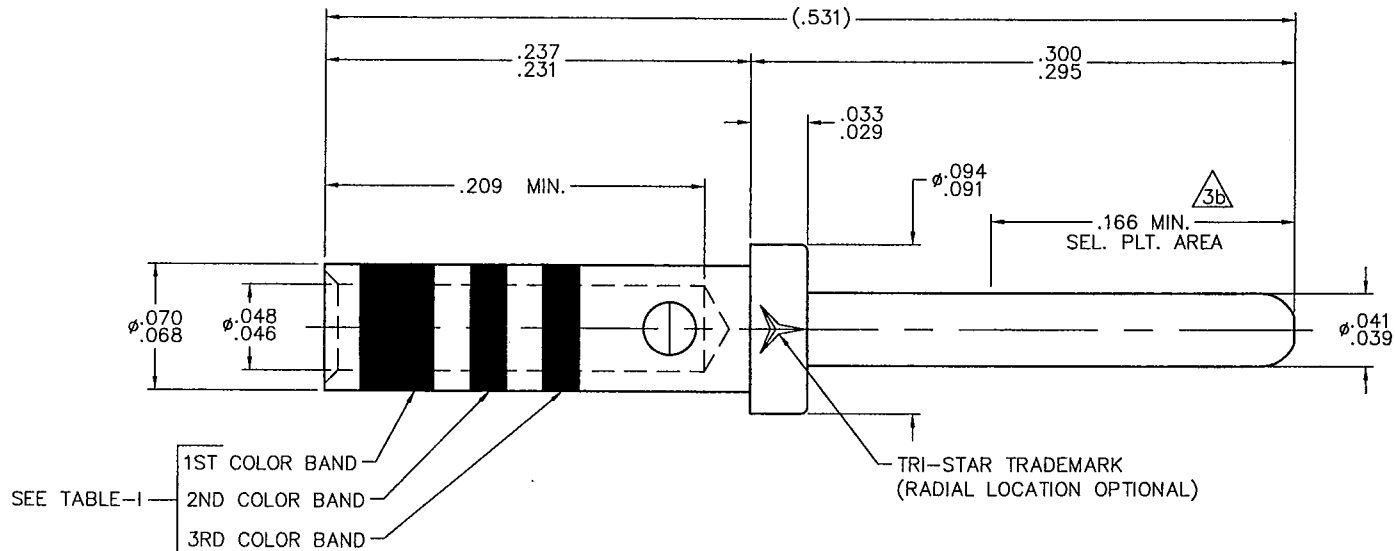


TABLE-I

MILITARY PART NUMBER	TRI-STAR PART NUMBER	FINISH	COLOR BANDS
M39029/58-363	315-2020-106	3a	1ST: ORANGE 2ND: BLUE 3RD: ORANGE
	315-2020-106-L	3b	
M39029/107-621	L15-2020-106	3c	1ST: BLUE 2ND: RED 3RD: BROWN

- 6. DELETED.
- 5. MEETS ALL APPLICABLE REQUIREMENTS OF AS39029.

4. CRIMP TOOL DATA:
 BASIC CRIMP TOOL: M22520/1-01
 POSITIONER: M22520/1-04 RED

3 FINISH:

- a). GOLD PLATE PER MIL-DTL-45204, TYPE II, GRADE C OVER NICKEL PLATE PER AMS-QQ-N-290.
- b). OVERALL PLATING: GOLD FLASH PER MIL-DTL-45204, TYPE I, GRADE A, OVER NICKEL PLATE PER AMS-QQ-N-290.

SELECTIVE PLATING: GOLD PLATE PER MIL-DTL-45204, TYPE II, GRADE C, .000050 MIN. THK.

- c). PALLADIUM PLATE PER TSEI EPS-0039.

2 MATERIAL: SUITABLE COPPER ALLOY PER AS39029.

1. www.tri-starelectronics.com

NOTES: (UNLESS OTHERWISE SPECIFIED)

SALES DRAWING

QTY REQ'D	FROM NO.	PART OR IDENTIFYING NO.	NOMENCLATURE OR DESCRIPTION	MATERIAL SPECIFICATION	ITEM NO.
PARTS LIST					
UNLESS OTHERWISE SPECIFIED DIMENSIONS ARE IN INCHES. TOLERANCES ARE: ANGLES .XX ±.01 .XXX ±.005 DO NOT SCALE DRAWING			CONTRACT NO. RATING:		
MATERIAL: 2 TREATMENT: FINISH: 3			DWG TITLE TRI-STAR ELECTRONICS INT'L, INC. 2201 ROSECRANS AVENUE, EL SEGUNDO, CA 90245		
APPROVALS		DATE		CONTACT, ELECTRICAL CONNECTOR, PIN, CRIMP REMOVABLE, #20	
DRAWN: D.B. VINOYA		10-19-05			
CHECKED: M.L.L.		11-2-05		SCALE: NONE	
APPROVED: L.B.O.		11-2-05		CAGE CODE: A 55104	
APPROVED: F.M.A. JR		11-2-05		DWG NO. *15-2020-106-*	
APPLICATION				REV G	
				SHEET 1 OF 1	

4

3

2

1