

## BLZ 5.08/15/180 SN BK BX

**Weidmüller Interface GmbH & Co. KG**  
 Klingenbergstraße 26  
 D-32758 Detmold  
 Germany

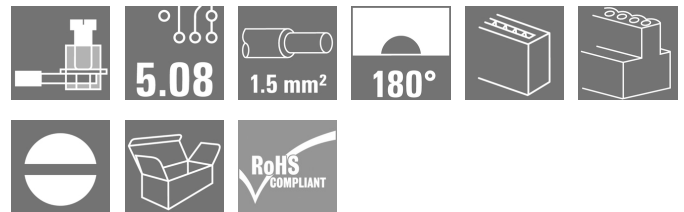
www.weidmueller.com

### Product image



Similar to illustration

Do not use product for new developments



Female plugs with clamping-yoke screw for wire connection with straight (180°) outlet direction. The female plugs provide space for labelling and can be coded.

### General ordering data

|              |   |
|--------------|---|
| Version      | PCB plug-in connector, female plug, 5.08 mm, Number of poles: 15, 180°, Clamping yoke connection, Clamping range, max.: 3.31 mm², Box |
| Order No.    | <a href="#">1527710000</a>  |
| Type         | BLZ 5.08/15/180 SN BK BX  |
| GTIN (EAN)   | 4008 190287740  |
| Qty.         | 30 pc(s).   |
| Product data | IEC: 400 V / 19 A / 0.2 - 2.5 mm²<br>UL: 300 V / 15 A / AWG 26 - AWG 12   |
| Packaging    | Box   |

Creation date ~~March 12, 2024~~ 5:21:29 PM CET

Available until 2023-07-30

Alternative product [1943940000](#)

~~Catalogue status 09.03.2024 / We reserve the right to make technical changes.~~

## BLZ 5.08/15/180 SN BK BX

Weidmüller Interface GmbH &amp; Co. KG

Klingenbergstraße 26

D-32758 Detmold

Germany

www.weidmueller.com

## Technical data

## Dimensions and weights

|            |          |                 |            |
|------------|----------|-----------------|------------|
| Depth      | 20.1 mm  | Depth (inches)  | 0.791 inch |
| Height     | 15.2 mm  | Height (inches) | 0.598 inch |
| Width      | 76.2 mm  | Width (inches)  | 3 inch     |
| Net weight | 24.733 g |                 |            |

## System Parameters

|  |                                     |  |                              |
|--|-------------------------------------|--|------------------------------|
| Product family                               | OMNIMATE Signal - series BL/SL 5.08 | Type of connection                         | Field connection             |
| Wire connection method                       | Clamping yoke connection            | Pitch in mm (P)                            | 5.08 mm                      |
| Pitch in inches (P)                          | 0.2 "                               | Conductor outlet direction                 | 180°                         |
| Number of poles                              | 15                                  | L1 in mm                                   | 71.12 mm                     |
| L1 in inches                                 | 2.8 "                               | Number of rows                             | 1                            |
| Pin series quantity                          | 1                                   | Rated cross-section                        | 2.5 mm <sup>2</sup>          |
| Touch-safe protection acc. to DIN VDE 57 106 | Safe from finger touch              | Touch-safe protection acc. to DIN VDE 0470 | IP20 plugged/ IP10 unplugged |
| Protection degree                            | IP20                                | Volume resistance                          | 4.50 mΩ                      |
| Can be coded                                 | Yes                                 | Stripping length                           | 7 mm                         |
| Tightening torque, min.                      | 0.4 Nm                              | Tightening torque, max.                    | 0.5 Nm                       |
| Clamping screw                               | M 2.5                               | Screwdriver blade                          | 0.6 x 3.5                    |
| Screwdriver blade standard                   | DIN 5264                            | Plugging cycles                            | 25                           |
| Plugging force/pole, max.                    | 8.5 N                               | Pulling force/pole, max.                   | 6.5 N                        |

## Material data

|                                       |          |                                       |                            |
|---------------------------------------|----------|---------------------------------------|----------------------------|
| Insulating material                   | PBT      | Colour                                | black                      |
| Colour chart (similar)                | RAL 9011 | Insulating material group             | IIIa                       |
| Comparative Tracking Index (CTI)      | ≥ 200    | UL 94 flammability rating             | V-0                        |
| Contact base material                 | Cu-alloy | Contact material                      | Cu-alloy                   |
| Contact surface                       | tinned   | Layer structure of plug contact       | 4...8 μm Sn hot-dip tinned |
| Storage temperature, min.             | -40 °C   | Storage temperature, max.             | 70 °C                      |
| Operating temperature, min.           | -50 °C   | Operating temperature, max.           | 100 °C                     |
| Temperature range, installation, min. | -25 °C   | Temperature range, installation, max. | 100 °C                     |

## Conductors suitable for connection

|   |                         |
|---|-------------------------|
| Clamping range, min.  | 0.13 mm <sup>2</sup>    |
| Clamping range, max.  | 3.31 mm <sup>2</sup>    |
| Wire connection cross section AWG, min.                             | AWG 26                  |
| Wire connection cross section AWG, max.                             | AWG 12                  |
| Solid, min. H05(07) V-U   | 0.2 mm <sup>2</sup>     |
| Solid, max. H05(07) V-U   | 2.5 mm <sup>2</sup>     |
| Flexible, min. H05(07) V-K  | 0.2 mm <sup>2</sup>     |
| Flexible, max. H05(07) V-K  | 2.5 mm <sup>2</sup>     |
| w. plastic collar ferrule, DIN 46228 pt 4, 0.2 mm <sup>2</sup> min. |                         |
| w. plastic collar ferrule, DIN 46228 pt 4, 2.5 mm <sup>2</sup> max. |                         |
| w. wire end ferrule, DIN 46228 pt 1, min.                           | 0.2 mm <sup>2</sup>     |
| w. wire end ferrule, DIN 46228 pt 1, max.                           | 2.5 mm <sup>2</sup>     |
| Plug gauge in accordance with EN 60999 a x b; ø                     | 2.8 mm x 2.0 mm; 2.4 mm |

Creation date March 12, 2024 5:21:29 PM CET

**BLZ 5.08/15/180 SN BK BX**

**Weidmüller Interface GmbH & Co. KG**  
 Klingenbergstraße 26  
 D-32758 Detmold  
 Germany

www.weidmueller.com

**Technical data**

|                     |  |                              |                         |
|---------------------|--|------------------------------|-------------------------|
| Clampable conductor | Cross-section for conductor connection | Type                         | fine-wired              |
|                     |  | nominal                      | 0.5 mm <sup>2</sup>     |
| wire end ferrule    |  | Stripping length             | nominal 6 mm            |
|                     |  | Recommended wire-end ferrule | <a href="#">H0.5/6</a>  |
| Clampable conductor | Cross-section for conductor connection | Type                         | fine-wired              |
|                     |  | nominal                      | 1 mm <sup>2</sup>       |
| wire end ferrule    |  | Stripping length             | nominal 6 mm            |
|                     |  | Recommended wire-end ferrule | <a href="#">H1.0/6</a>  |
| Clampable conductor | Cross-section for conductor connection | Type                         | fine-wired              |
|                     |  | nominal                      | 1.5 mm <sup>2</sup>     |
| wire end ferrule    |  | Stripping length             | nominal 7 mm            |
|                     |  | Recommended wire-end ferrule | <a href="#">H1.5/7</a>  |
| Clampable conductor | Cross-section for conductor connection | Type                         | fine-wired              |
|                     |  | nominal                      | 2.5 mm <sup>2</sup>     |
| wire end ferrule    |  | Stripping length             | nominal 7 mm            |
|                     |  | Recommended wire-end ferrule | <a href="#">H2.5/7</a>  |
| Clampable conductor | Cross-section for conductor connection | Type                         | fine-wired              |
|                     |  | nominal                      | 0.75 mm <sup>2</sup>    |
| wire end ferrule    |  | Stripping length             | nominal 6 mm            |
|                     |  | Recommended wire-end ferrule | <a href="#">H0.75/6</a> |

Reference text The outside diameter of the plastic collar should not be larger than the pitch (P). Length of ferrules is to be chosen depending on the product and the rated voltage.

**Rated data acc. to IEC**

|   |                        |   |                   |
|---|------------------------|---|-------------------|
| tested acc. to standard   | IEC 60664-1, IEC 61984 | Rated current, min. number of poles (Tu=20°C)                         | 19 A              |
| Rated current, max. number of poles (Tu=20°C)                             | 14.5 A                 | Rated current, min. number of poles (Tu=40°C)                         | 16 A              |
| Rated current, max. number of poles (Tu=40°C)                             | 12.5 A                 | Rated voltage for surge voltage class / pollution degree II/2         | 400 V             |
| Rated voltage for surge voltage class / pollution degree III/2            | 320 V                  | Rated voltage for surge voltage class / pollution degree III/3        | 250 V             |
| Rated impulse voltage for surge voltage class/ pollution degree II/2      | 4 kV                   | Rated impulse voltage for surge voltage class/ pollution degree III/2 | 4 kV              |
| Rated impulse voltage for surge voltage class/ contamination degree III/3 | 4 kV                   | Short-time withstand current resistance                               | 3 x 1s with 120 A |

**Rated data acc. to CSA**

|                                   |  |                                   |                |
|-----------------------------------|--|-----------------------------------|----------------|
| Institute (CSA)                   |  | Certificate No. (CSA)             | 200039-1121690 |
| Rated voltage (Use group B / CSA) | 300 V  | Rated voltage (Use group D / CSA) | 300 V          |
| Rated current (Use group B / CSA) | 15 A   | Rated current (Use group D / CSA) | 10 A           |
| Wire cross-section, AWG, min.     | AWG 26   | Wire cross-section, AWG, max.     | AWG 12         |
| Reference to approval values      | Specifications are maximum values, details - see approval certificate. |                                   |                |


## BLZ 5.08/15/180 SN BK BX

**Weidmüller Interface GmbH & Co. KG**  
Klingenbergstraße 26  
D-32758 Detmold  
Germany

www.weidmueller.com

## Technical data

## Rated data acc. to UL 1059

|                                       |   |                                       |        |
|---------------------------------------|---|---------------------------------------|--------|
| Institute (UR)                        |  | Certificate No. (UR)                  | E60693 |
| Rated voltage (Use group B / UL 1059) | 300 V   | Rated voltage (Use group D / UL 1059) | 300 V  |
| Rated current (Use group B / UL 1059) | 15 A  | Rated current (Use group D / UL 1059) | 10 A   |
| Wire cross-section, AWG, min.         | AWG 26  | Wire cross-section, AWG, max.         | AWG 12 |
| Reference to approval values          | Specifications are maximum values, details - see approval certificate.            |                                       |        |

## Packing

|           |        |            |        |
|-----------|--------|------------|--------|
| Packaging | Box    | VPE length | 295 mm |
| VPE width | 175 mm | VPE height | 20 mm  |

## Classifications

|             |             |             |             |
|-------------|-------------|-------------|-------------|
| ETIM 6.0    | EC002638    | ETIM 7.0    | EC002638    |
| ETIM 8.0    | EC002638    | ETIM 9.0    | EC002638    |
| ECLASS 9.0  | 27-44-03-09 | ECLASS 9.1  | 27-44-03-09 |
| ECLASS 10.0 | 27-44-03-09 | ECLASS 11.0 | 27-46-02-02 |
| ECLASS 12.0 | 27-46-02-02 | ECLASS 13.0 | 27-46-02-02 |

## Important note

|                |   |
|----------------|---|
| IPC conformity | Conformity: The products are developed, manufactured and delivered according international recognized standards and norms and comply with the assured properties in the data sheet resp. fulfill decorative properties in accordance with IPC-A-610 "Class 2". Further claims on the products can be evaluated on request.  |
| Notes          | <ul style="list-style-type: none"> <li>• Additional variants on request</li> <li>• Gold-plated contact surfaces on request</li> <li>• Rated current related to rated cross-section &amp; min. No. of poles.</li> <li>• Wire end ferrule without plastic collar to DIN 46228/1</li> <li>• Wire end ferrule with plastic collar to DIN 46228/4</li> <li>• P on drawing = pitch</li> <li>• Rated data refer only to the component itself. Clearance and creepage distances to other components are to be designed in accordance with the relevant application standards.</li> <li>• In accordance with IEC 61984, OMNIMATE-connectors are connectors without breaking capacity (COC). During designated use, connectors are not allowed to be engaged or disengaged when live or under load</li> <li>• Long term storage of the product with average temperature of 50 °C and maximum humidity 70%, 36 months</li> </ul> |

**Data sheet**

**BLZ 5.08/15/180 SN BK BX**

**Weidmüller Interface GmbH & Co. KG**  
 Klingenbergstraße 26  
 D-32758 Detmold  
 Germany

www.weidmueller.com

**Technical data**

**Approvals**

Approvals



|                       |            |
|-----------------------|------------|
| ROHS                  | Conform    |
| UL File Number Search | UL Website |
| Certificate No. (UR)  | E60693     |

**Downloads**

|   |   |
|---|---|
| Approval/Certificate/Document of Conformity | <a href="#">Declaration of the Manufacturer</a>   |
| Catalogues                                  | <a href="#">Catalogues in PDF-format</a>  |
| Brochures                                   | <a href="#">FL DRIVES EN</a><br><a href="#">MB DEVICE MANUF. EN</a><br><a href="#">FL DRIVES DE</a><br><a href="#">FL BUILDING SAFETY EN</a><br><a href="#">FL APPL LED LIGHTING EN</a><br><a href="#">FLIndustr.CONTROLS EN</a><br><a href="#">FL MACHINE SAFETY EN</a><br><a href="#">FL HEATING ELECTR EN</a><br><a href="#">FL APPL INVERTER EN</a><br><a href="#">FL_BASE_STATION_EN</a><br><a href="#">FL ELEVATOR EN</a><br><a href="#">FL POWER SUPPLY EN</a><br><a href="#">FL 72H SAMPLE SER EN</a><br><a href="#">PO OMNIMATE EN</a> |

**Data sheet**

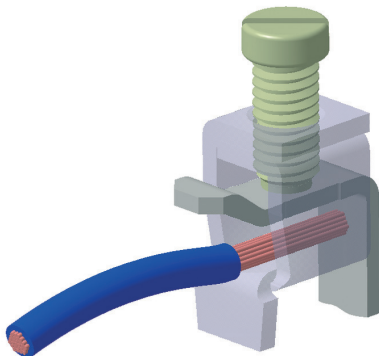
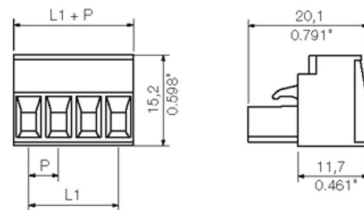
**BLZ 5.08/15/180 SN BK BX**

**Weidmüller Interface GmbH & Co. KG**  
Klingenbergstraße 26  
D-32758 Detmold  
Germany

[www.weidmueller.com](http://www.weidmueller.com)

**Drawings**

**Dimensional drawing**



## BLZ 5.08/15/180 SN BK BX

**Weidmüller Interface GmbH & Co. KG**  
Klingenbergstraße 26  
D-32758 Detmold  
Germany

www.weidmueller.com

## Accessories

### Coding elements



#### Only connects what is supposed to be connected: the right connection at the right place.

Coding elements and locking devices clearly assign connecting elements during the manufacturing process and operation

The coding elements and locking devices are inserted prior to assembly or during the cable assembly phase. The Weidmüller alternative: configure online using the variant configurator to precode prior to delivery.

Incorrect assembly on the circuit board and incorrect plugging of connecting elements is no longer possible. The advantage: no troubleshooting during manufacture and no operational errors by the user.

#### General ordering data

| Type       | BLZ/SL KO OR BX            | Version  | Product data | Packaging |
|------------|----------------------------|--|--------------|-----------|
| Order No.  | <a href="#">1573010000</a> | PCB plug-in connector, Accessories, Coding element, orange, Number |              | Box       |
| GTIN (EAN) | 4008190048396              | of poles: 1  |              |           |
| Qty.       | 100 pc(s).                 |  |              |           |
| Type       | BLZ/SL KO BK BX            | Version  | Product data | Packaging |
| Order No.  | <a href="#">1545710000</a> | PCB plug-in connector, Accessories, Coding element, black, Number  |              | Box       |
| GTIN (EAN) | 4008190087142              | of poles: 1  |              |           |
| Qty.       | 50 pc(s).                  |  |              |           |

### Strain reliefs



#### For frequent load changes: the "trailer coupling" for plug-in connectors.

The strain relief can do more than just relieve the strain on conductors:

Simply clip onto the plug and

- bundle conductors
- guide cables
- use as a connection and disconnection aid

No damage to the connecting points, clear, tidy wiring and easy to handle.

User advantages: permanent heavy-duty connections for harsh industrial environments and convenient operation ensure improved system availability.

#### General ordering data

| Type       | BLZ 5.08 ZE04 OR BX        | Version  | Product data | Packaging |
|------------|----------------------------|--|--------------|-----------|
| Order No.  | <a href="#">1652110000</a> | PCB plug-in connector, Accessories, Strain relief, orange, Number of |              | Box       |
| GTIN (EAN) | 4008190401788              | poles: 4   |              |           |
| Qty.       | 50 pc(s).                  |  |              |           |
| Type       | BLZ 5.08 ZE08 OR BX        | Version  | Product data | Packaging |
| Order No.  | <a href="#">1652050000</a> | PCB plug-in connector, Accessories, Strain relief, orange, Number of |              | Box       |
| GTIN (EAN) | 4008190401726              | poles: 8   |              |           |
| Qty.       | 50 pc(s).                  |  |              |           |

**Data sheet**

**BLZ 5.08/15/180 SN BK BX**

**Weidmüller Interface GmbH & Co. KG**  
 Klingenbergstraße 26  
 D-32758 Detmold  
 Germany  
  
[www.weidmueller.com](http://www.weidmueller.com)

**Accessories**

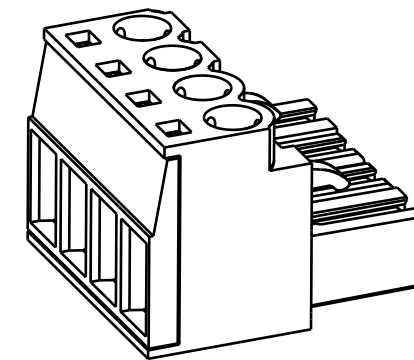
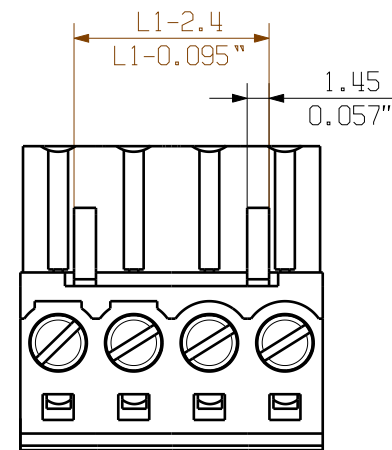
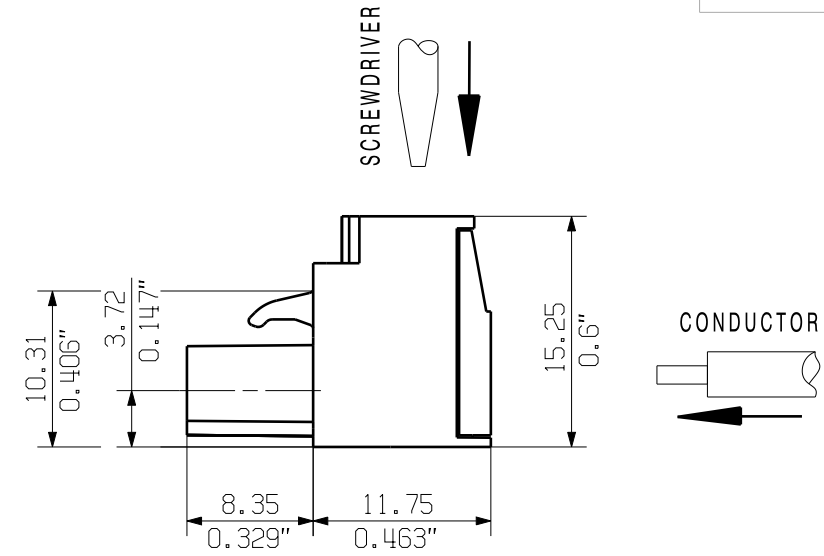
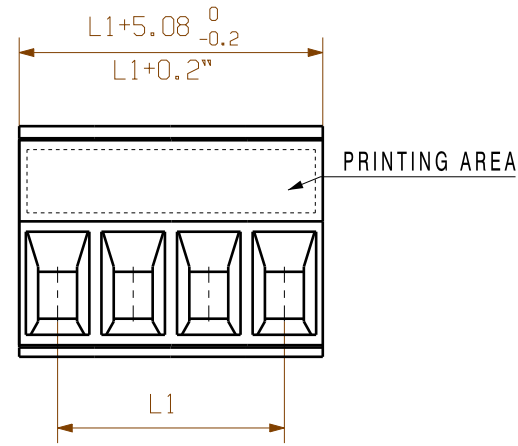
| Type       | BLZ 5.08 ZE04 BK BX        | Version   | Product data | Packaging |
|------------|----------------------------|---|--------------|-----------|
| Order No.  | <a href="#">1652130000</a> | PCB plug-in connector, Accessories, Strain relief, black, Number of |              | Box       |
| GTIN (EAN) | 4008190401801              | poles: 4  |              |           |
| Qty.       | 50 pc(s).                  |   |              |           |
| Type       | BLZ 5.08 ZE08 BK BX        | Version   | Product data | Packaging |
| Order No.  | <a href="#">1652070000</a> | PCB plug-in connector, Accessories, Strain relief, black, Number of |              | Box       |
| GTIN (EAN) | 4008190401740              | poles: 8  |              |           |
| Qty.       | 50 pc(s).                  |   |              |           |



MASSE OHNE TOLERANZ SIND KEINE PRUEFMASSE  
 DIMS. WITHOUT TOLERANCE ARE NOT CONTROL DIMS.

DIE DEUTSCHE VERSION IST VERBINDLICH  
 THE GERMAN VERSION IS BINDING

WEITERGABE SOWIE VERVIELFAELTIGUNG DIESES DOKUMENTS, VERWERTUNG UND MITTEILUNG SEINES INHALTS SIND VERBOTEN, SOWEIT NICHT AUSDRUECKLICH GESTATTET.  
 ZUWIDERHANDLUNGEN VERPFLICHTEN ZU SCHADENERSATZ. ALLE RECHTE FUER DEN FALL DER PATENT-, GEBRAUCHSMUSTER- ODER GESCHMACKSMUSTEREINTRAGUNG VORBEHALTEN.  
 THE REPRODUCTION, DISTRIBUTION AND UTILIZATION OF THIS DOCUMENT AS WELL AS THE COMMUNICATION OF ITS CONTENTS TO OTHERS WITHOUT EXPLICIT AUTHORIZATION IS PROHIBITED.  
 OFFENDERS WILL BE HELD LIABLE FOR THE PAYMENT OF DAMAGES. WEIDMUELLER EXCLUSIVELY RESERVES THE RIGHT TO FILE FOR PATENTS, UTILITY MODELS OR DESIGNS.  
 © WEIDMUELLER INTERFACE GmbH & Co.KG



|    |         |           |
|----|---------|-----------|
| 24 | 116,84  | 4,600     |
| 23 | 111,76  | 4,400     |
| 22 | 106,68  | 4,200     |
| 21 | 101,60  | 4,000     |
| 20 | 96,52   | 3,800     |
| 19 | 91,44   | 3,600     |
| 18 | 86,36   | 3,400     |
| 17 | 81,28   | 3,200     |
| 16 | 76,20   | 3,000     |
| 15 | 71,12   | 2,800     |
| 14 | 66,04   | 2,600     |
| 13 | 60,96   | 2,400     |
| 12 | 55,88   | 2,200     |
| 11 | 50,80   | 2,000     |
| 10 | 45,72   | 1,800     |
| 9  | 40,64   | 1,600     |
| 8  | 35,56   | 1,400     |
| 7  | 30,48   | 1,200     |
| 6  | 25,40   | 1,000     |
| 5  | 20,32   | 0,800     |
| 4  | 15,24   | 0,600     |
| 3  | 10,16   | 0,400     |
| 2  | 5,08    | 0,200     |
| n  | L1 [mm] | L1 [Inch] |

SHOWN BLZ 5.08/04/180

For the mounting of PCBs, it should be noted that the rated data given in the catalogue relates only to the connection elements. The necessary creepage and clearance paths must be observed in connection with the respective applicant in accordance with VDE 0110. The current-carrying capacity and pitch tolerance is to be determined according to DIN IEC 326 part 3 very fine.

Weidmüller connectors are tested to the DIN VDE 0627 standard, and are valid for its field of application. Provided that the connectors are used to the intended purpose, all requirements with respect to the occurring of electrical, mechanical, thermic and corrosive stress will be satisfied.

|                           |   |                                      |                   |  |
|---------------------------|---|--------------------------------------|-------------------|--|
|                           | METRIC TOLERANCES:<br>X. = ±0.3<br>X.X = ±0.1<br>X.XX = ±0.05 |                                      | CAT.NO.:          |  |
|                           | 53502/3<br>22.11.10 HERTEL_S 01                               |                                      | <b>Weidmüller</b> |  |
| MODIFICATION              |   | DRAWING NO. <b>C 16065</b> <b>63</b> |                   |  |
| DATE NAME                 |   | SHEET 01 OF 03 SHEETS                |                   |  |
| DRAWN 11.06.2008 HELIS_MA |   | <b>BLZ 5.08/./180...</b>             |                   |  |
| RESPONSIBLE HERTEL_S      |   | BUCHSENLEISTE<br>SOCKET BLOCK        |                   |  |
| SCALE: 2/1                |   | CHECKED 23.11.2010 HECKERT_M         |                   |  |
| SUPERSEDES:               |   | APPROVED HECKERT_M                   |                   |  |
|                           |   | PRODUCT FILE: BLZ 5.08 7147          |                   |  |