

## SAID-M12BB-5S-9SMT

**Weidmüller Interface GmbH & Co. KG**

Klingenbergstraße 26

D-32758 Detmold

Germany

[www.weidmueller.com](http://www.weidmueller.com)

### Similar to illustration



Weidmüller is one of the industry's leading international providers of connectors. An important mainstay in this product family are the circular connectors, which Weidmüller groups under the product name SAI. In the development of SAI products, Weidmüller engineers have always concentrated on achieving rational, cost-effective installation concepts, and – in cooperation with major users – have supplied the markets with well-conceived products which set standards in terms of functionality and quality across the globe. The best examples are the new power distributors with S and T coded M12. These modules are characterised by particularly high currents and voltages. This enables them to also be used, for example, with three-phase motors.

### General ordering data

Version	Built-in plugs, M12, Socket connector, Mounting thread: , Number of poles: 5, Strand / cable length:
Order No.	<a href="#">2422900000</a>
Type	SAID-M12BB-5S-9SMT
GTIN (EAN)	4050118431162
Qty.	25 pc(s).

Creation date December 5, 2023 10:07:46 AM CET

Catalogue status 24.11.2023 / We reserve the right to make technical changes.

**SAID-M12BB-5S-9SMT****Weidmüller Interface GmbH & Co. KG**

Klingenbergstraße 26

D-32758 Detmold

Germany

www.weidmueller.com

**Technical data****Dimensions and weights**

Net weight 3.6 g

**Technical data of PCB plug-in connector**

Coding	B-coded	Housings	M12 socket
Number of poles	5	Shield connection	Yes
Rated voltage	60 V	Rated voltage	250 V (4-pole) / 60 V (5-pole)
Rated current	4 A	Rated current	4 A
Temperature range	-25...95 °C	Protection degree	IP67
Contact surface	Au (Gold)	Housing main material	LCP
Connection thread	M12	Tightening torque	M12: 0.8 Nm
Pollution severity	3 (2 within the sealed area)	Plugging cycles	≥ 100
Contact material	CuZn	Lock nut material	Nickel-plated CuZn
Material of the flange-mounted housing	Nickel-plated CuZn		

**General Info**

Number of poles	5	UL 94 flammability rating	V-0
Housing main material	LCP	Connection thread	M12
Contact material	CuZn	Contact surface	Au (Gold)
Protection degree	IP67	Plugging cycles	≥ 100

**Material data**

UL 94 flammability rating	V-0	Contact material	CuZn
Contact surface	Au (Gold)		

**System parameters**

Number of poles	5	Pin series quantity	1
Plugging cycles	≥ 100	Protection degree	IP67

**Classifications**

ETIM 6.0	EC000438	ETIM 7.0	EC003557
ETIM 8.0	EC003557	ETIM 9.0	EC003557
ECLASS 9.1	27-44-02-05	ECLASS 10.0	27-44-02-23
ECLASS 11.0	27-44-02-23	ECLASS 12.0	27-44-02-23
ECLASS 13.0	27440223		

**Environmental Product Compliance**

REACH SVHC	Lead 7439-92-1
SCIP	0ea6d931-f9e9-40a6-89d9-8d671103189d3

**Approvals**

ROHS	Conform
------	---------

**SAID-M12BB-5S-9SMT****Weidmüller Interface GmbH & Co. KG**

Klingenbergstraße 26

D-32758 Detmold

Germany

[www.weidmueller.com](http://www.weidmueller.com)**Technical data****Downloads**

Engineering Data	<a href="#">CAD data – STEP</a>
Catalogues	<a href="#">Catalogues in PDF-format</a>
Brochures	<a href="#">FL FIELDWIRING EN</a>

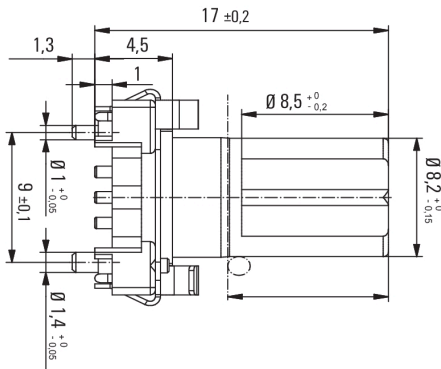
**SAID-M12BB-5S-9SMT**

**Weidmüller Interface GmbH & Co. KG**  
 Klingenbergstraße 26  
 D-32758 Detmold  
 Germany

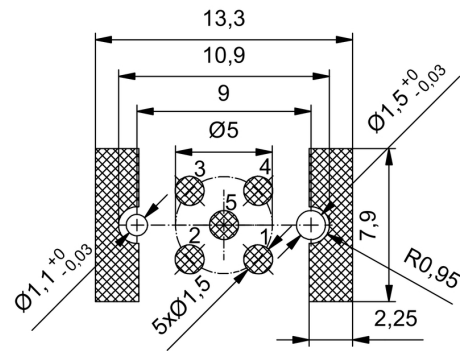
www.weidmueller.com

**Drawings**

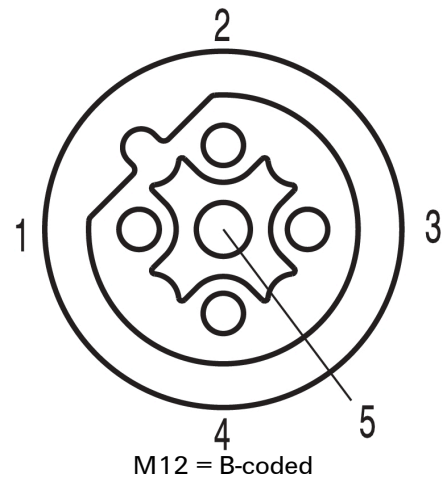
**Dimensioned drawing**



**PCB design**



**Pole scheme**



**SAID-M12BB-5S-9SMT****Weidmüller Interface GmbH & Co. KG**

Klingenbergstraße 26

D-32758 Detmold

Germany

www.weidmueller.com

**Accessories****Accessories**

Weidmüller is one of the industry's leading international providers of connectors. An important mainstay in this product family are the circular connectors, which Weidmüller groups under the product name SAI. In the development of SAI products, Weidmüller engineers have always concentrated on achieving rational, cost-effective installation concepts, and – in cooperation with major users – have supplied the markets with well-conceived products which set standards in terms of functionality and quality across the globe. The best examples are the new power distributors with S and T coded M12. These modules are characterised by particularly high currents and voltages. This enables them to also be used, for example, with three-phase motors.

**General ordering data**

Type	SAIFG-M14X1-B-1	Version
Order No.	<a href="#">2423920000</a>	Built-in plug housing, M12 socket, Mounting height: 9 mm
GTIN (EAN)	4050118431803	
Qty.	25 pc(s).	
Type	SAIFG-M14X1-B-2	Version
Order No.	<a href="#">2423950000</a>	Built-in plug housing, M12 socket, Mounting height: 13 mm
GTIN (EAN)	4050118432336	
Qty.	25 pc(s).	
Type	SAIE-KMM14X1-SW15	Version
Order No.	<a href="#">2424010000</a>	Locknut
GTIN (EAN)	4050118431230	
Qty.	25 pc(s).	