

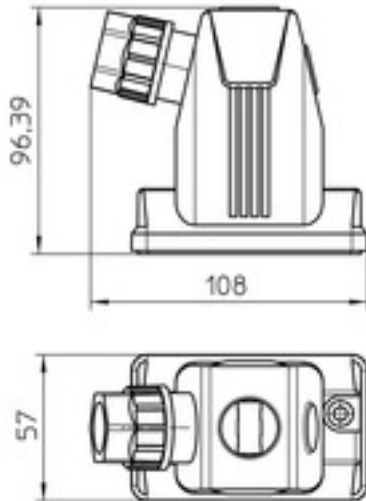
HDC 06B TSS 1M25 WMP**Weidmüller Interface GmbH & Co. KG**

Klingenbergstraße 26

D-32758 Detmold

Germany

www.weidmueller.com



Our flange-mounted housings made of plastic have a built-in cable gland and a screw interlock. They seal directly onto the panel wall and can therefore be used without an attachment housing. The housings are impressive with their low weight and optimal protection against contamination, water and vibrations.

General ordering data

Version	HDC enclosures, Size: 3, Protection degree: IP66 (in plugged condition), IP67 (in plugged condition), Cable entry from side, Screw, , Size of cable entries: M 25
Order No.	2716750000
Type	HDC 06B TSS 1M25 WMP
GTIN (EAN)	4050118803624
Qty.	1 pc(s).

Creation date March 12, 2024 3:20:20 PM CET

Catalogue status 09.03.2024 / We reserve the right to make technical changes.

HDC 06B TSS 1M25 WMP

Weidmüller Interface GmbH & Co. KG
Klingenbergstraße 26
D-32758 Detmold
Germany

www.weidmueller.com

Technical data

Dimensions and weights

Net weight 123 g

Cable Gland WMP

Cable diameter, min.	9 mm	Cable diameter, max.	17 mm
AF size	26 mm	Size of cable entries	M 25

Dimensions

Cable entry w. cable glands

General data

EMC housings	No	Housing main material	PA
Material of locking element	Stainless steel, rust-proof	Protection degree	IP66 (in plugged condition), IP67 (in plugged condition)
Tightening torque	3 Nm	UL 94 flammability rating	V-0

Version

BG	3	Cable entry	w. cable glands
Colour (RAL)	RAL 9011	Design of housing	Cable entry from side
Design of locking system	Screw	Number of cable entry sideways	1
Number of cable glands	1	Sealing	NBR
Size	3	Size of cable entries	M 25
Suitable for ModuPlug®	Yes	Tightening torque	3 Nm
Top part/bottom part/lid	upper part		

Classifications

ETIM 6.0	EC000437	ETIM 7.0	EC000437
ETIM 8.0	EC000437	ETIM 9.0	EC000437
ECLASS 9.0	27-44-02-02	ECLASS 9.1	27-44-02-02
ECLASS 10.0	27-44-02-02	ECLASS 11.0	27-44-02-02
ECLASS 12.0	27-44-02-02	ECLASS 13.0	27-44-02-02

Approvals

ROHS Conform

Downloads

Approval/Certificate/Document of Conformity	Manufacturer's declaration
Engineering Data	CAD data – STEP
Catalogues	Catalogues in PDF-format

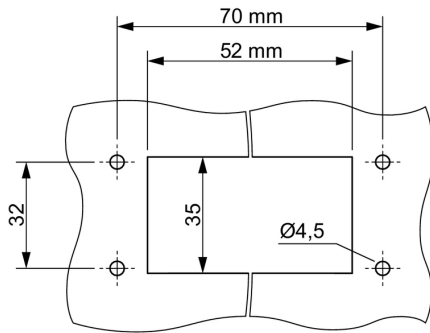
Data sheet

HDC 06B TSS 1M25 WMP

Weidmüller Interface GmbH & Co. KG
Klingenbergstraße 26
D-32758 Detmold
Germany

www.weidmueller.com

Drawings



HDC 06B TSS 1M25 WMP

Weidmüller Interface GmbH & Co. KG
 Klingenbergstraße 26
 D-32758 Detmold
 Germany

www.weidmueller.com

Accessories

Mounting brackets



Our flange-mounted housings made of plastic have a built-in cable gland and a screw interlock. They seal directly onto the panel wall and can therefore be used without an attachment housing. The housings are impressive with their low weight and optimal protection against contamination, water and vibrations.

General ordering data

Type	HDC AF SET WM	Version
Order No.	2716800000	HDC enclosures, Size: , Protection degree:
GTIN (EAN)	4050118803679	
Qty.	1 pc(s).	
Type	HDC AF WM	Version
Order No.	2716790000	HDC enclosures, Size: , Protection degree:
GTIN (EAN)	4050118803662	
Qty.	20 pc(s).	