

CH-W-H-A11-SPZZZR**Weidmüller Interface GmbH & Co. KG**

Klingenbergstraße 26

D-32758 Detmold

Germany

www.weidmueller.com

Product now only available
in Brazil



Charging solution for the home – On your mark.

Get charged, Go!

The HOME Wallbox combines efficient charging technology with a robust housing in an attractive design. Focused on the essentials and intelligently controlled, it can be used for cost-optimized charging in the private environment.

General ordering data

Version	Wallbox, max. charging capacity of 11 kW @ 3-phase (400 V) grid connection, max. current 16 A, Type 2 socket outlet, Modbus RTU
Order No.	2781360000
Type	CH-W-H-A11-SPZZZR
GTIN (EAN)	4064675055754
Qty.	1 pc(s).

Creation date December 1, 2023 12:29:39 PM CET

Catalogue status 24.11.2023 / We reserve the right to make technical changes.

CH-W-H-A11-SPZZZR

Weidmüller Interface GmbH & Co. KG

Klingenbergstraße 26

D-32758 Detmold

Germany

www.weidmueller.com

Technical data

Dimensions and weights

Depth	109 mm	Depth (inches)	4.291 inch
Height	486 mm	Height (inches)	19.134 inch
Width	351 mm	Width (inches)	13.819 inch
Net weight	6,600 g		

Temperatures

Storage temperature	-40 °C...70 °C	Humidity at storage temperature	5 - 95% rel. humidity
Operating temperature	-25 °C...50 °C		

System requirements

Connection system	Type 2 socket outlet	Type of communication to vehicle	Control Pilot (CP), Proximity Pilot / Plug Present (PP)
Charge mode	Mode 3	Protection class	I
Surge voltage category	III	Pollution severity	3

Material data

Max. relative humidity during storage	95 %	Operating temperature, max.	50 °C
Operating temperature, min.	-25 °C	Storage temperature, max.	70 °C
Storage temperature, min.	-40 °C		

Performance specification

Performance specification	Number of phases input	3
	Input voltage type	AC
	Input voltage	400 V
	Input current, max.	16 A
	Charging power, max	11 kW
Performance specification	max. charging capacity of 11 kW @ 3-phase (400 V) grid connection, max. current 16 A	

Features

Protection degree	IP54	On- / Off-Switch integrated	Yes
Automatic plug unlocking in case of power loss available	Yes	Plug lock available	Yes
Charge status display integrated	Yes	Welding detection	Yes
Failure shutdown	Yes	Failure shutdown method	All-pole
DC - residual current detection integrated	Yes	Type of integrated residual current detection	DC residual current sensor
DC - residual current	6 mA	AC - residual current detection integrated	No
AC - residual current	30 mA	Type of residual current detection to be provided by the installation	RCD Type A
User authentication	No	Energy measurement integrated	No
Billing system compliant with German calibration law	No	Load management integrated	Yes
Load management type	DI, Modbus RTU	Communication integrated	Yes
Type of communication	Modbus RTU	With communication interface	Yes

Assembly

Installation	Wall mounting
--------------	---------------

Creation date December 1, 2023 12:29:39 PM CET

Catalogue status 24.11.2023 / We reserve the right to make technical changes.

2

CH-W-H-A11-SPZZZR

Weidmüller Interface GmbH & Co. KG
 Klingenbergstraße 26
 D-32758 Detmold
 Germany

www.weidmueller.com

Technical data
Included in delivery

Included in delivery Assembly dowels,
 Mounting screws

Housing

Operating altitude	≤ 2000 m	Design Cover exchangeable	Yes
Housing main material	Polycarbonate glass fiber reinforced	Protection degree	IP54
Colour	black	Impact resistance	IK 08 according to (IEC 62262 and DIN EN 50102)

Approvals and norms

Approvals IEC 61851-1, IEC
 61851-21-1, IEC
 61851-21-2, IEC 62196-1,
 IEC 62196-2

Connection data (supply cable)

Mains frequency	50 Hz	Type of connection	Screw terminal connectors
Wire size ,max.	6 mm ²	With circuit breaker	No

Classifications

ETIM 6.0	EC002883	ETIM 7.0	EC002883
ETIM 8.0	EC002883	ETIM 9.0	EC002883
ECLASS 9.0	27-14-47-01	ECLASS 9.1	27-14-47-01
ECLASS 10.0	27-14-47-01	ECLASS 11.0	27-14-47-01
ECLASS 12.0	27-14-47-01	ECLASS 13.0	27144701

Environmental Product Compliance

REACH SVHC	Lead 7439-92-1 Potassium perfluorobutane sulfonate 29420-49-3 6,6'-di-tert-butyl-2,2'-methylenedi-p-cresol 119-47-1
SCIP	689566cb-20f9-4403-8a16-5554bd64828c

Approvals

Approvals



CH-W-H-A11-SPZZZR

Weidmüller Interface GmbH & Co. KG
Klingenbergstraße 26
D-32758 Detmold
Germany

www.weidmueller.com

Technical data**Downloads**

Approval/Certificate/Document of Conformity	EU Konformitätserklärung / EU Declaration of Conformity
Engineering Data	CAD data – STEP Wallbox HOME Socket
Software	Configuration Tool AC-Home Wallbox
Tender specification	Ausschreibungstext
User Documentation	Sicherheitshinweise Bedienungsanleitung Montageanleitung Bedienungsanleitung Vernetzung
Catalogues	Catalogues in PDF-format

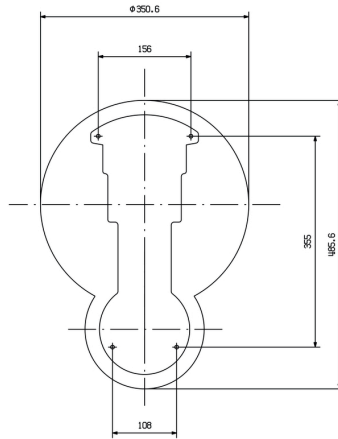
CH-W-H-A11-SPZZZR

Weidmüller Interface GmbH & Co. KG
Klingenbergstraße 26
D-32758 Detmold
Germany

www.weidmueller.com

Drawings

Dimensional drawing



CH-W-H-A11-SPZZZR

Weidmüller Interface GmbH & Co. KG
 Klingenbergstraße 26
 D-32758 Detmold
 Germany

www.weidmueller.com

Accessories

Charging point: plug type 2 - vehicle side: plug type 2



General ordering data

Type	CA-T2T2-5M-11/3P-S-BBG	Version
Order No.	2713330000	AC charging cable, Plug type - charging point: Type 2, Plug type - vehicle side: Type 2, Charging power, max.: 11 kW, Number of phases: 3, Rated current: 20 A, Cable length: 5 m, Cable type: spiral
GTIN (EAN)	4050118767377	
Qty.	1 pc(s).	
Type	CA-T2T2-10M-11/3-R-BBG	Version
Order No.	2791330000	AC charging cable, Plug type - charging point: Type 2, Plug type - vehicle side: Type 2, Charging power, max.: 11 kW, Number of phases: 3, Rated current: 20 A, Cable length: 10 m, Cable type: regular
GTIN (EAN)	4064675070825	
Qty.	1 pc(s).	
Type	CA-T2T2-5M-11/3P-R-BBG	Version
Order No.	2754380000	AC charging cable, Plug type - charging point: Type 2, Plug type - vehicle side: Type 2, Charging power, max.: 11 kW, Number of phases: 3, Rated current: 20 A, Cable length: 5 m, Cable type: regular
GTIN (EAN)	4050118899115	
Qty.	1 pc(s).	
Type	CA-T2T2-7.5M-11/3-R-BBG	Version
Order No.	2791320000	AC charging cable, Plug type - charging point: Type 2, Plug type - vehicle side: Type 2, Charging power, max.: 11 kW, Number of phases: 3, Rated current: 20 A, Cable length: 7.5 m, Cable type: regular
GTIN (EAN)	4064675070801	
Qty.	1 pc(s).	