

KLIPPON K1 RAL7001

Weidmüller Interface GmbH & Co. KG

Klingenbergstraße 26

D-32758 Detmold

Germany

www.weidmueller.com

Similar to illustration



The aluminium Klippon® K enclosures are suitable for use in an extremely wide range of different areas. Various components can be installed inside the enclosures, and will benefit in particular from the high temperature resistance, the excellent IP protection and the good impact resistance.

No matter what kind of application the customer is planning, Weidmüller is able to provide a wide range of aluminium enclosures precisely fitting the customer's requirements.

Klippon® K enclosures for hazardous areas are available on request.

Our extensive product range offers the following advantages:

- Available in two surface finishes: natural and powder-coated (RAL 7001)
- With chloroprene moulded seal as standard (silicone moulded seal optionally available)
- Standardised closure system with Torx slotted screw head for 19 enclosure sizes
- Mounting holes outside of the gasket area
- High IP protection classes: IP66, IP67 and IP68 according to DIN EN 60529
- Impact resistance of up to 7 (10) Joules
- The enclosures are approved according ATEX, IECEx, cULus, and DNV GL as well as the empty enclosure standard.

- Suitable for railway applications according to EN 45545-2:2013
- Alloy is resistant to salt water
- Standardised distributor enclosures with threaded holes and a variety of terminal configurations

General ordering data

Version	Klippon K (aluminium empty enclosure), Empty enclosure, Aluminium enclosure, Height: 70 mm, Width: 70 mm, Depth: 45 mm, Material: Aluminium AlSi12, Powder-coated, textured, Silver grey
Order No.	9529120000
Type	KLIPPON K1 RAL7001
GTIN (EAN)	4008190918026
Qty.	10 pc(s).
Unassembled to fit rail	1909980000

Creation date March 12, 2024 5:54:49 PM CET

KLIPPON K1 RAL7001

Weidmüller Interface GmbH & Co. KG

Klingenbergstraße 26

D-32758 Detmold

Germany

www.weidmueller.com

Technical data

Dimensions and weights

Depth	45 mm	Depth (inches)	1.772 inch
Height	70 mm	Height (inches)	2.756 inch
Width	70 mm	Width (inches)	2.756 inch
Mounting dimension - height	42 mm	Mounting dimension - width	58 mm
Net weight	251.5 g		

Temperatures

Operating temperature	-40 °C...80 °C
-----------------------	----------------

Cable glands, left

M12	1	M16	1
-----	---	-----	---

Cable glands, right

M12	1	M16	1
-----	---	-----	---

Cable glands, top/bottom

M12	2	M16	2
M20	1		

Certificate numbers enclosure

Approval conditions	cULus, RMRS, DNV	Certificate No. (DNV)	TAE00002SM
Certificate no. (cULus)	E197061	Declaration of Conformatiy No. (DoC LVD)	DE_PS2410_160412_001ISS01

General information

Access opening: height	63 mm	Access opening: width	63 mm
Areas of use	Process industry, Transportation, Marine engineering, Packaging industry, Harbour facilities, Machine construction	Enclosure attachment	Holes 4 mm
Flange plate	No	Impact resistance	10 J version standard
Integral fixing	Threaded holes M4	Lid	Yes
Lid attachment	M4 torx stainless steel screws with slot	Material	Aluminium AISi 12
Material thickness of cover	3 mm	Material thickness of enclosure	3.5 mm
Max. payload	0.49 kg	Note: protection class	IP68 (t=72h, h=1m)
Number of lid screws	4	Operating temperature, max.	80 °C
Operating temperature, min.	-40 °C	Protection class (UL)	Type 4, Type 4X
Protection degree	IP66, IP67, IP68	Seal material	Chloroprene
Standards	EN 45545-2:2013	Surface finish	Powder-coated, textured
Torque for lid screws	2.5 Nm		

horizontal assembly

WDU 2,5 / ZDU 2,5 / IDU 2,5	1x5	WDU 4 / ZDU 4	1x1*
-----------------------------	-----	---------------	------

KLIPPON K1 RAL7001

Weidmüller Interface GmbH & Co. KG

Klingenbergstraße 26

D-32758 Detmold

Germany

www.weidmueller.com

Technical data

vertical assembly

WDU 2,5 / ZDU 2,5 / IDU 2,5	1x1*	WDU 4 / ZDU 4	1x1*
-----------------------------	------	---------------	------

Classifications

ETIM 6.0	EC000261	ETIM 7.0	EC000261
ETIM 8.0	EC000261	ETIM 9.0	EC000261
ECLASS 9.0	27-18-01-01	ECLASS 9.1	27-18-92-90
ECLASS 10.0	27-18-01-01	ECLASS 11.0	27-18-01-01
ECLASS 12.0	27-18-01-01	ECLASS 13.0	27-18-01-01

Environmental Product Compliance

REACH SVHC	Lead 7439-92-1
SCIP	9e4cab4e-239c-4e14-b9df-a0fee300d28a

Approvals

Approvals



ROHS	Conform
UL File Number Search	UL Website
Certificate no. (cULus)	E197061

Downloads

Approval/Certificate/Document of Conformity	TAE00002SM EU Declaration of Conformity - Klippon K Empty Enclosures - DoC DE PS2410 160412 001ISS02 DoM Klippon K salt water resistance DoM Klippon K EN 45545-2 2013 Railway
Engineering Data	CAD data – STEP
Product Change Notification	Technical change to Klippon K® enclosure series Technische Änderung für Klippon® K Gehäuse
Tender specification	Klippon K1 RAL7001_9529120000_DE Klippon K1 RAL7001_9529120000_EN
User Documentation	Assembly guidelines - empty enclosures
Catalogues	Catalogues in PDF-format
Brochures	MB KLIPPON ENCL.TECN EN FL RAILWAY 2014 EN FL RAILWAY 2014 EN

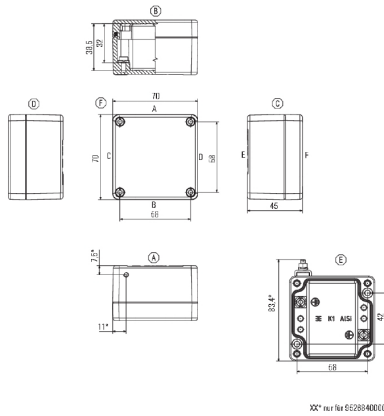
KLIPPON K1 RAL7001

Weidmüller Interface GmbH & Co. KG
 Klingenbergstraße 26
 D-32758 Detmold
 Germany

www.weidmueller.com

Drawings

Dimensioned drawing



KLIPPON K1 RAL7001

Weidmüller Interface GmbH & Co. KG
 Klingenbergstraße 26
 D-32758 Detmold
 Germany

www.weidmueller.com

Accessories

TS 15



The system accessories for the Klippon® K enclosure series allows you to easily adapt the enclosures to meet the specific requirements of every application.

- DIN Rails TS 35 and TS15
- Mounting plates
- Hinges
- Wall-mounted holder

General ordering data

Type	TS15 60 Klippon K1 CSS	Version
Order No.	1909980000	Rail, TS 15, Width: 60 mm, without slot, Steel, galvanized, chromium-plated
GTIN (EAN)	4032248536900	
Qty.	1 pc(s).	
Type	TS15X5 ST K1	Version
Order No.	8000003883	Rail, TS 15, Width: 60 mm, without slot, Steel, galvanic zinc plated and passivated
GTIN (EAN)	4050118653328	
Qty.	20 pc(s).	

Klippon® K - Mounting plates



The system accessories for the Klippon® K enclosure series allows you to easily adapt the enclosures to meet the specific requirements of every application.

- DIN Rails TS 35 and TS15
- Mounting plates
- Hinges
- Wall-mounted holder

General ordering data

Type	MOPL K1 N FE	Version
Order No.	1905280000	Klippon K (aluminium empty enclosure), Mounting plate, Mounting plate, Height: 52 mm, Width: 61 mm, Depth: 3 mm, Material: Sheet steel, galvanized, galvanized, silver
GTIN (EAN)	4032248524426	
Qty.	1 pc(s).	

KLIPPON K1 RAL7001

Weidmüller Interface GmbH & Co. KG
Klingenbergstraße 26
D-32758 Detmold
Germany

www.weidmueller.com

Accessories**Screws**

Depending on the terminal block or also accessories, we offer different types of screws as additional items or also spare parts.

General ordering data

Type	FKSC M4X6 D8/SW2	Version
Order No.	1567480000	SAK Series, Allen hex screw, Screws, Number of poles: 1
GTIN (EAN)	4008190033491	
Qty.	100 pc(s).	