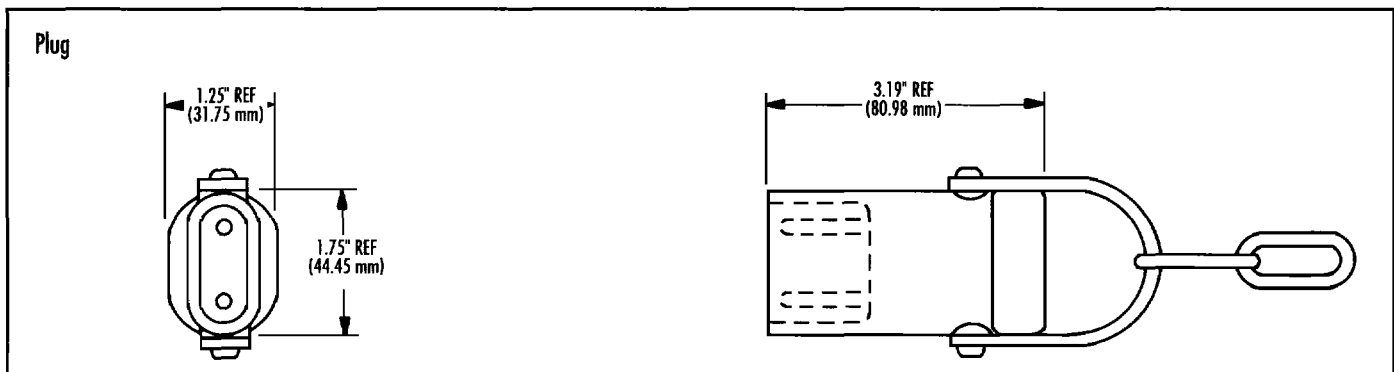
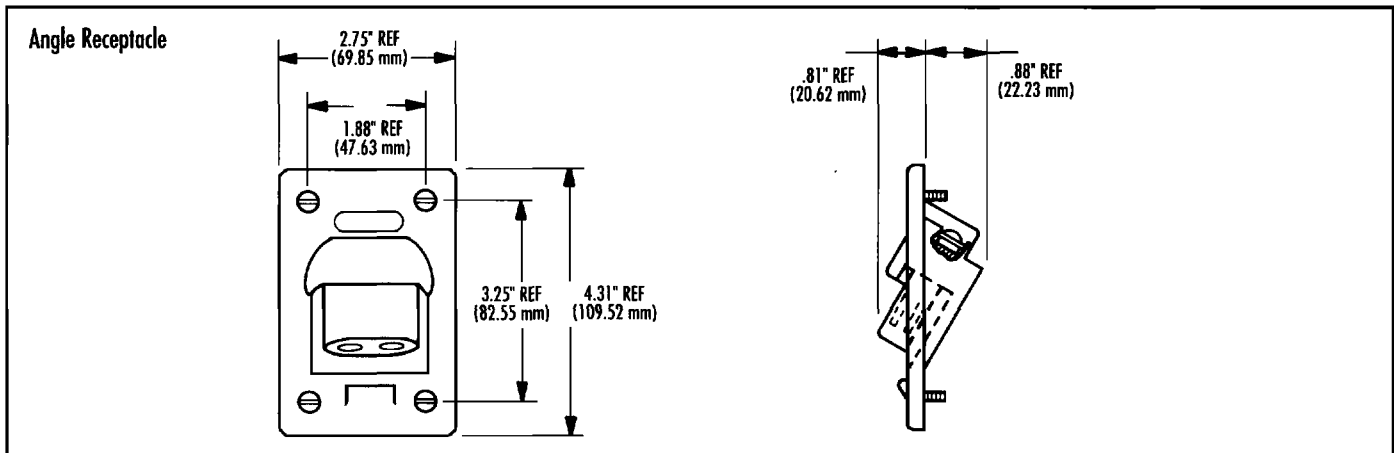
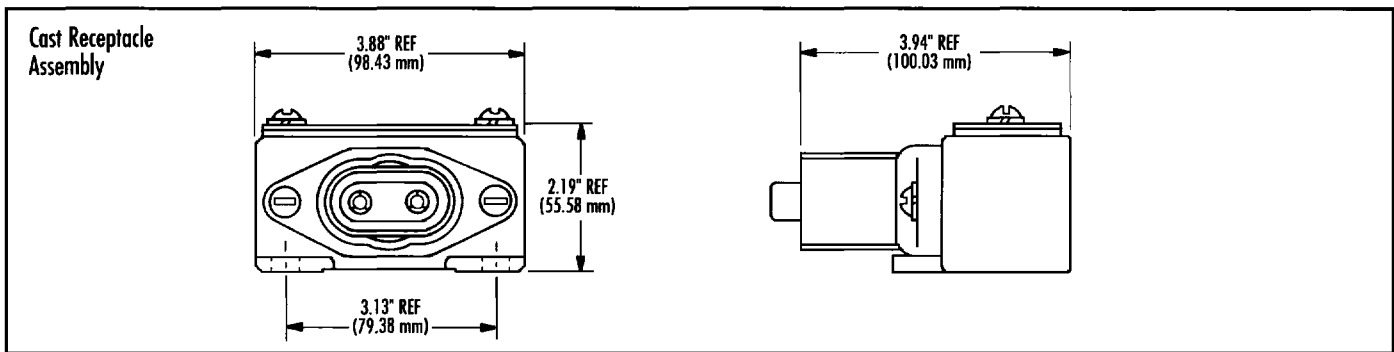





# Safety Plugs

## Product Specifications

<p><b>MECHANICAL</b></p> <p><b>PLUG:</b>          BODY MATERIAL: NITRILE/PVC (RUBBER COMPOUND)          CONTACT MATERIAL: BRASS (SOLID ONE-PIECE JUMPER)          CHAIN/YOKE: ZINC PLATED STEEL</p> <p><b>ANGLE RECEPTACLE:</b>          HOUSING MATERIAL: NITRILE/PVC (RUBBER COMPOUND)          CONTACT MATERIAL: BRASS</p> <p><b>CAST RECEPTACLE:</b>          HOUSING MATERIAL: ALUMINUM          CONTACT MATERIAL: BRASS          GASKET MATERIAL: SPONGE NEOPRENE</p>	<p><b>ELECTRICAL</b></p> <p><b>VOLTAGE RATING:</b> 600VAC/VDC  <b>CURRENT RATING:</b> 25A</p> <p><b>ENVIRONMENTAL</b></p> <p><b>AMBIENT OPERATING TEMP:</b> -20° TO +90°C</p> <p><b>CERTIFICATIONS</b></p> <p>UL: UL RECOGNIZED, FILE NO. E46237          CSA: CSA CERTIFIED, FILE NO. LR6837</p>
---	---



# Safety Plugs

SAFETY PLUGS			
FACE VIEW OF MALES			
RATED @ 25 A, 600 VAC	YELLOW	RED	ORANGE <sup>1</sup>
Shorting Plug w/1 Ft. chain	22803	22904	43302
Shorting Plug w/2 Ft. chain	22804	22905	43303
Shorting Plug w/3 Ft. chain	22805	22906	43304
Rubber Angle Receptacle	22801	22903	43301
Cast Receptacle Assembly*	22806	22902	43305
Insert for Cast Receptacle Assembly	22802	22901	43306
Insert w/Mounting Shell	22807	22907	43308
Mounting Shell	50-0081	50-0081	50-0081
Mounting/Wiring Box	65-0040	65-0040	65-0040

\* Includes insert, mounting shell and wiring box

## PRODUCT OPTIONS

1. 4 Pole Safety Plug Assembly available in red upon request. Contact manufacturer.